

Product introduction

Description



Safety is the primary concern of food and pharmaceutical production. Sanitary pressure transmitter specifically designed for the food and pharmaceutical industry, adopts stainless steel external structure. And the wetted parts with superb stainless steel 316L diaphragm and complete welding technology, the polished finish $\leq 0.4 \mu$. Hygienic filling liquids in line with FDA standard. Suitable for CIP and SIP cleaning. Richen international standard process connection for optional.

Independent research and development of the core sensor and transmission technology, tens of millions of industrial field application test, hundreds of continuous improvement of design and manufacturing, fully automated equipment for factory inspection and records. Transmitter performance meet the national standard.

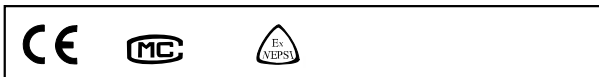
Main parameters

Pressure types	Gauge & Absolute pressure
Measuring range	-100kPa ~ 1MPa, Minimum range 5kPa
Absolute pressure range	0 ~ 1MPa, Minimum range 10kPa
Output signal	4-20mA, 4-20mA+HART, customer
Reference accuracy	$\pm 0.2\%$ F.S., $\pm 0.5\%$ F.S.

Field of application

Process Industry	Petrochemical, Chemical, Power, Steel, Cement, Papermaking
------------------	--

Approvals



Measuring medium

Normal medium	Gas, Steam, Liquid
Special medium	The fluids which compatible with wetted parts

Performance Parameter

Measuring range and limit

Nominal value	Smallest calibratable span	Lower range limit(LRL)	Upper range limit(URL)	Overload limit
40kPa	2kPa	-40kPa	40kPa	1MPa
250kPa	12.5kPa	-100kPa	250kPa	4MPa
1MPa	50kPa	-100kPa	1MPa	6MPa

Above measurement range can be replaced by kg/cm2, MPa and kPa units .Which can provide other measurement range according to the requirements. Adjust requirements: lower range value (LRV) and upper range value (URV) can be adjusted within the scope of the upper and lower range limit, smallest calibratable span ≤ | URV-LRV | ≤ upper range limit

Performance Parameter

Performance reference JJG882-2004 calibration conditions, 4 ~ 20mA+HART two wires analog signal output. The range is calibrated against the standard zero point. Silicon oil filling, 316L stainless steel isolation diaphragm.

Static Effects	
Zero Effect	± (0.1% * Nominal range (URL) + 0.1% * Nominal range / 10MPa. Available elimination parameters on site
Range Effect	± (0.15% * Nominal range (URL) / 10MPa.

Responds Time	150mS
Stability	±0.15%URL/ 24 Months

Nominal range: 6kPa

Reference accuracy		
Linear output	Standard	Linearity, hysteresis start from zero ±0.1% Range
	Range adjustment	The range ratio (TD)= Nominal range/ Range, TD>4 ±[0.05+0.0125(URL/Range)]% Range
Square root output	1.5 times of above linear reference output accuracy.	

Nominal range: 35kPa 100kPa 250kPa 1000kPa

Reference accuracy		
Linear output	Standard	Linearity, hysteresis start from zero ±0.075% Range
	Adjustment range	The range ratio (TD)= Nominal range/ Range, TD>10 ±0.02(URL/Range)%Range
Square root output	1.5 times of above linear reference output accuracy.	

Ambient temperature effects (Calibration Temperature: 25°C)	
-20 ~60°C	TD<4, ± (0.02%* Nominal range (URL) +0.075%* range)/20°C
	TD>4, ± (0.03%* Nominal range (URL) +0.15%* range)/20°C
Others	TD<4, ± (0.04%* Nominal range (URL) +0.25%* range)/20°C
	TD>4, ± (0.06%* Nominal range (URL) +0.4%* range)/20°C

Ambient temperature effects (Calibration Temperature: 25°C)	
-20 ~60°C	TD>10, ± (0.02%* Nominal range (URL) +0.075%* range)/20°C
	TD>10, ± (0.03%* Nominal range (URL) +0.2%* range)/20°C
Others	TD<10, ± (0.04%* Nominal range (URL) +0.3%* range)/20°C
	TD<10, ± (0.06%* Nominal range (URL) +0.5%* range)/20°C

Responds time	150mS
Stability	±0.1%URL/ 36 Months

Installation position influence

Any position installation, the maximum value < 400Pa, and can be eliminated to 0

Vibration effects

Test standard: IEC61298-3, <0.1% URL

Power supply effects

Power supply 20~30VDC, Load value ≤300Ω, 0.001% URL /10v

Loading effects

Power supply 20~30 VDC, Load value 0~800Ω, Accuracy effect value < 0.005%URL

Menu function

Transmission module type

Output signal	Local control	Local control
4-20mA+HART	LCD/3 buttons on body	HART
4-20mA	LCD/3 buttons on body	-

The menu functions operated by the external buttons or the three buttons of integrated display or with HART supporting software and communication demodulator. Without the integration of LCD and HART, the same with these functions, but the operation will be limited.

LCD display unit

Display mode	Details
PV	Process variable shows on main screen, percentage and progress bar shows on secondary screen
mA	Current shows on main screen, percentage and progress bar shows on secondary screen
%	Percentage shows on main screen, percentage and progress bar shows on secondary screen

Range

Nominal range	SLH SLL / Range		Minimum Range
	URL	LRL	
*Note: Range of pressure from SLL to full-point SLH should be greater than the applicable minimum range			

Damping time

Units	Setting range
S	0.1 ~ 32.000 S

*Note: The response time of the signal output relative to the input step change.
The damping time of the micro pressure range is longer.
The overall response time includes the set damping value and the response time.

Unit

Unit	Definition
kPa	Kilopascal
MPa	Megapascals
bar	Bar
psi	Pounds per square inch
mmHg	Millimetre(s) of mercury@0°C
mmH2O	Millimeter of water@4°C
mH2O	Meter of water@4°C
inH2O	Inches of water@4°C
ftH2O	Feet of water@4°C
inHg	Inches of mercury@0°C
mHg	Meter mercury column@0°C
TORR	Torr
mbar	Millibar
g/cm2	Gram per square centimeter
kg/cm2	Kilogram per square centimeter
Pa	PA
ATM	Standard atmospheric pressure
mm	Millimeter(Note1)
m	Meter(Note1)
g/cm3	Gram per cubic centimeter
m/S	Meter/ Seconds

Note: associated unit according to the need to transmitting module automatically range conversion

Output type

Parameters	Output type
LINER	Linearity
*SQRT	Square root

Note, this function is often used in flow measurement and other function switch.

Alarm signal

Parameters	Alarm signal output value
ALARM NO	None
ALARM H	20.8mA
ALARM L	3.8mA

*Note, the fault alarm signal for the transmitter self-diagnosis, Optional: A low current of 3.8mA or a high current 20.8mA fixed output to warn

Fix output

Parameters	Fix output value
FIX/C NO	None
3.8000	3.8000mA
4.0000	4.0000mA
8.0000	8.0000mA
12.000	12.000mA
16.000	16.000mA
20.000	20.000mA
20.800	20.800mA
*Note, refers to the transmitter signal output and the host computer signal input calibration, used in field under the errors diagnosis in electromagnetic interference and excessive cable resistance	

Quick menu

Parameter	Instruction
PV=0	Set current output to zero value, used to correct the error caused by static pressure and installation.
Zero adjustment	Set current pressure value is zero, used in field under the condition of the zero adjustment
Span adjustment	Set current pressure value is zero, used in field under the condition of the zero adjustment
Restore factory setting	Restore backup data when error

Environment condition

Items	Operation condition
Working temperature	-40-85°C, integrated LCD display:-20-70°C
Storage temperature	-40-110°C, integrated LCD display:-40-85°C
Media temperature	Silicon oil filling: -40-80°C,-40-70°C, under vacuum environment,
	Fluorine oil filling: -10-80°C,-10-60°C, under vacuum environment
Working humidity	0-95%RH
Protection class	IP67
Dangerous condition	Reference dangerous places license

Power supply

Type	Operation condition
Standard	12~30 VDC
Transient resistance module	12~30 VDC
Intrinsic safety	12~30 VDC
HART communication protocol	12~30 VDC , load resistance 250Ω
Load resistance	(Power supply 10 VDC) / 22mA
Transmission distance	4~20mA, 4~20mA + HART about 1000m
Power consumption	≤50mW

Pressure limit

Nominal range	Overload
All range	1.5 times overload or depends on maximum pressure value of process connection

EMC Environment

Standard	Emission requirements in line with the 61000-6-3, protection requirements and test accord with ENEN61000-6-2
Radio frequency protection	30V/m(1000-4-3 , 61000-4-3)
Conduction protection	30V (1000-4-6 , 61000-4-6)

Vibration environment

Vibration resistance	Up to 2 g acceleration and highest frequency to 1000 hz (IEC 60068-2-6)
Impact resistance	Acceleration, 50 g; Duration of 11 ms IEC (60068-2-27)

Other

Turn-on time	2S, Meeting parameter index
--------------	-----------------------------

Product selection instruction

Sensor type

Code	Type	Description
G	Pressure sensor type	Gauge pressure type
A		Absolute pressure type
N		High vacuum occasions (Measuring absolute pressure value <20kPa)
F	Seal way	Stainless steel welding seal

Range code

Code	Nominal value	Description
S403	40kPa	Nominal value: 40kPa, smallest value 2kPa
S254	250kPa	Nominal value: 250kPa, smallest value 12.5kPa
S105	1000kPa	Nominal value: 1000kPa, smallest value 50kPa

Note: Absolute pressure sensor minimum nominal value: 35 kPa, Gauge pressure sensor LRL: -100 kPa, Absolute pressure sensor LRL: 0kPa

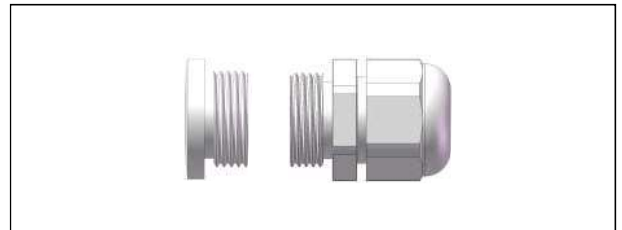
Electrical connection

Code	Item	Description
T1	Electrical connection	Aluminum-alloy terminal, 2 cable entry M20*1.5(F), red body, white cover
T2		Aluminum-alloy terminal, 2 cable entry M20*1.6(F), blue body, white cover
R1	Cable entry protector	Waterproof connector M20X1.5 one side, blind plug another side, PVC material, 6-8mm diameter cable only, IP67
R2		Flame proof, 1/2 NPT(F) one side, blind plug another side, stainless steel material, 6-8mm diameter cable only, IP67
R3		Flame proof, M20X1.5(F) one side, blind plug another side, stainless steel material, 6-8mm diameter cable only, IP67

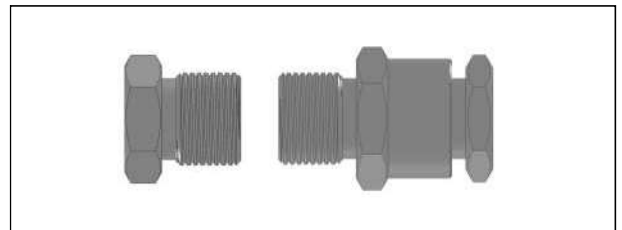
Housing(T1)



Standard cable entry protective adaptor(R1)



Flame proof cable entry protective adaptor(R2/R3)



Product selection instruction

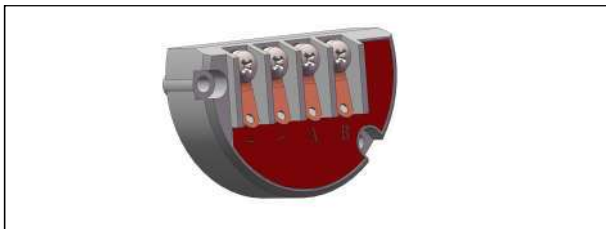
Transmission module

Code	Items	Description
F	Output signal	4-20mA two wire, power supply: 12-30VDC
H		4-20mA+HART two wire, power supply: 12-30VDC
A	Display	Without display
C		With LCD display

Display module (C)



Terminals



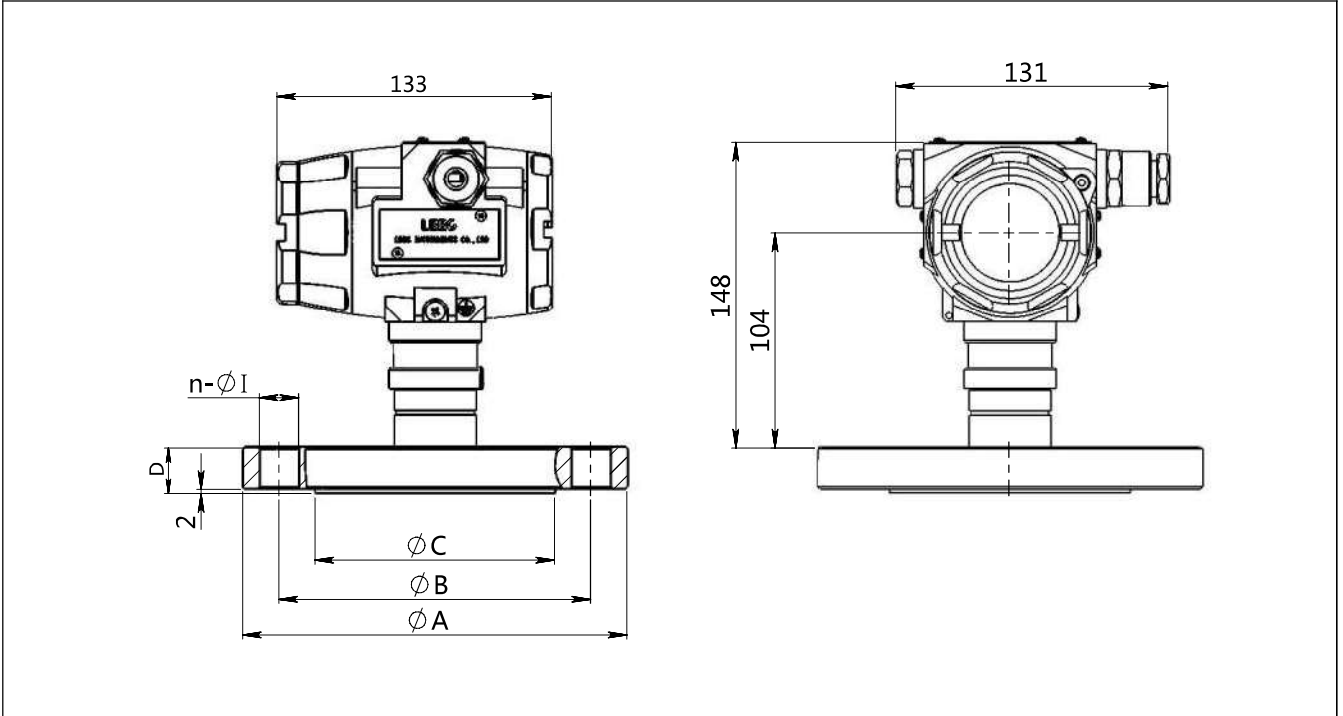
Isolation diaphragm



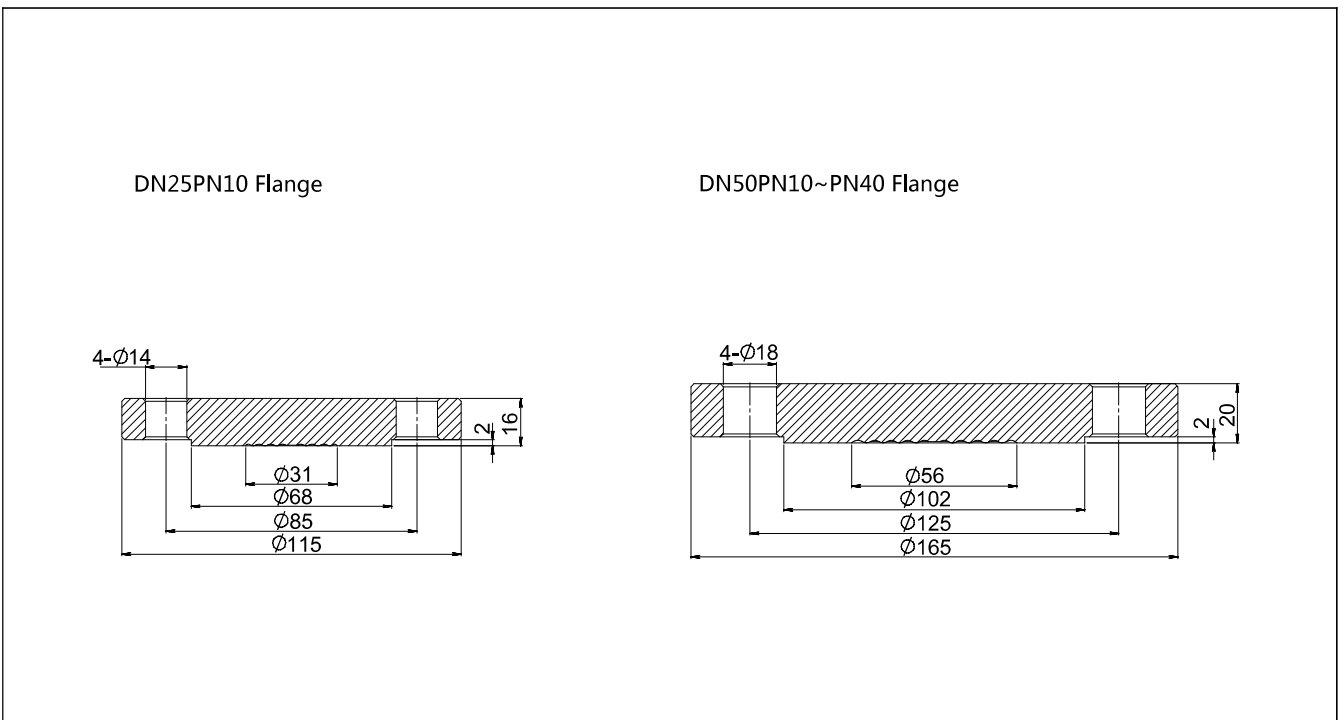
Process connection select instruction

Code	Items	Description
4	Process connector material	Stainless steel, SUS304
6		Stainless steel, SUS316
NT	Connection type	Standard connection, medium temperature: -25-85°C
HT		With Cooling Element, suitable for medium temperature -40-150°C
UT		With Capillary Element, suitable for medium temperature -40-300°C
S	Isolation fluid filling	Silicon oil, process temperature: -45-205°C
H		High-temperature silicon oil, process temperature: 0-315°C
S	Isolation diaphragm material	Stainless steel, SUS316L
T		Tantalum
P		SUS316 + PTFE cover
M		Monel
H		Hastelloy alloy C
8		Tantalum + PTFE cover
9		Hastelloy C + PTFE cover

Product drawing and dimension



Flange Drawing and Dimension



Disclaimer: all the data used in the product description is not legally binding. Relevant technical details may be changed due to further improve

Ordering information chapter

Item	Parameters	Code	Instruction	(*) fast delivery available
	Model	SMP858-TST	Monosilicon diaphragm pressure transmitter	
Sensor	Separator	-	Detailed specifications as following	
	Pressure range code	S403	Nominal value: 40kPa	
		S254	Nominal value: 250kPa	*
		S105	Nominal value: 1000kPa	
	Pressure type	G	Gauge pressure type	*
		A	Absolute pressure type	*
		N	High vacuum occasions (Measuring absolute pressure value <20kPa)	
Sensor seal	F	Stainless steel welding seal	*	
Electrical connection	Separator	-	Detailed specifications as following	
	Electrical connection	T1	Aluminum-alloy terminal,2 cable entry M20*1.5(F), red body, white cover	*
		T2	Aluminum-alloy terminal,2 cable entry M20*1.6(F), blue body, white cover	
	Cable entry protector	R1	Waterproof connector M20X1.5 one side , blind plug another side, PVC material,6-8mm diameter cable only, IP67	*
		R2	Flame proof, 1/2 NPT(F) one side, blind plug another side, stainless steel material, 6-8mm diameter cable only, IP67	*
		R3	Flame proof, M20X1.5(F) one side, blind plug another side, stainless steel material, 6-8mm diameter cable only, IP67	*
	Output	Separator	-	Detailed specifications as following
	Output signal	F	4-20mA two wire, power supply: 12~30VDC	*
		H	4-20mA+HART two wire, power supply: 16.5~55VDC	*
	Display	C	LCD display	*
		A	Without LCD display	*
Process connection	Separator	-	Detailed specifications as following	
	Process connector material	4	Stainless Steel SUS304	*
		6	Stainless steel SUS316	*
	Connection type	NT	Standard connection, suitable for medium temperature -25-85°C	*
		HT	With Cooling Element, suitable for medium temperature -40-150°C	*
		UT	With Capillary Element, suitable for medium temperature -40-300°C	*
	Isolation fluid filling	S	Silicon oil, process temperature: -45-205°C	*
		H	High-temperature silicon oil, process temperature: 0-315°C	*

Ordering information chapter

	Isolation diaphragm material	S	SUS316L	*
		T	Tantalum	
		P	SUS316 + PTFE cover	
		M	Monel	
		H	Hastelloy C	*
		8	Tantalum + PTFE cover	
		9	Hastelloy C + PTFE cover	
		H01	HG/T 20592-2009 DN50PN10~PN40 Flange	*
		H02	HG/T 20592-2009 DN25PN10 Flange	*
		H05	HG/T 20592-2009 DN80PN10	
		A01	1" ANSI/ASME B16.5 CLASS150	
		A03	2" ANSI/ASME B16.5 CLASS150	
		A05	3" ANSI/ASME B16.5 CLASS150	
		J01	JIS B2238 1" 5K	
		J03	JIS B2238 2" 5K	
J05	JIS B2238 3" 5K			
Additional options	Separator	-	Detailed specifications as following	
	Display mode	/D1	According to your requirement	*
	Calibration report	/E1	Calibration report provide by our company	*
		/E2	Calibration report provide by chinese authorised third party	*
	Approvals	/F1	Flame proof certificate, ExdIICT6, NEPSI	*
		/F2	Intrinsic safety certificate, ExialICT4, NEPSI	*
		/F3	CE certificate	*
	Wetted parts treatment	/G1	Ungrease treatment	*
		/G2	Electropolishing treatment	*
	Terminal module	/H1	Anti-lighting terminal	*

Factory settings and parameters

Item	Menu mark	Factory setting value
Tag position	None	0(No specific settings)
Analog output type	mA	Liner
Display mode	DISP	PV
Alarm signal	ALARM	No

Item	Menu mark	Factory setting value
Damping value	DAMP	0(No specific settings)
4mA Lower range value	LRV	According to the order value
20mA Upper range value	URV	According to the order value
Process unit	U	According to the order

Approvals

Factory certificate

Certification organization	Intertek
Quality management system	ISO9001-2008
Scope of certification	Design and production of pressure transmitter
Registration number	110804039

CE

License scope	PRESSURE TRANSMITTER
Standard	EN61000-6-2 : 2005
	EN61000-6-4 : 2007
Registered number	AC/0100708

Intrinsic safety certificate

Certification organization name	NEPSI
Licenses range	SMP858 series pressure transmitter
Explosion-proof mark	ExiaIICT4
Ambient temperature	-25--+60°C
Medium maximum temperature	+80°C
Registration number	GYB13.1139X
Intrinsically safe parameter description	Maximum input voltage:28VDC
	Maximum input current:93mA
	Maximum input power:0.66w
	Maximum internal equivalent parametersCi(nF):0.035
	Maximum internal equivalent parametersLi(mH):≈0