




## Valve terminal FV , with multi-pin plug and fieldbus connection

### Technical specifications - Plate valve G $\frac{1}{4}$

#### Function

2x3/2C, 2x3/2U, 2x3/2H  
 2-position 5-way valve,  
 Single electronic control  
 2-position 5-way valve,  
 Double electronic control  
 5/3C, 5/3U, 5/3E

-  - Width 18 mm
-  - Flow 800 ... 1000 l/min
-  - Operating voltage 24 V DC



#### The main technical parameters

Valve function	T32-A	T32-M	M52-R	B52	M52-M	P53
Normal position	C <sup>1)</sup> U <sup>2)</sup> H <sup>4)</sup>	C <sup>1)</sup> U <sup>2)</sup> H <sup>4)</sup>	-	-	-	C <sup>1)</sup> U <sup>2)</sup> E <sup>3)</sup>
Stable position	Single electronic control			Double electronic control	Single electronic control	
Reset method: Pneumatic reset	Yes	No	Yes <sup>5)</sup>	-	No	-
Reset method: Mechanical spring return	No	Yes	Yes <sup>5)</sup>	-	Yes	-
Port 1 vacuum operated	No	Out-of-band pilot				
Design	Spool valve					
Sealing principle	Soft seal					
Drive mode	Electrical way					
Control method	Pilot control					
Pilot gas source	External					
Exhaust function	With flow control					
Toggle position display	LED					
Flow rate of G14 (front) on the air circuit board	[l/min] 800	800	950	1000	950	900
Width	[mm] 18					
Port	1, 3, 5, 12/14, 82/84	On the pneumatic circuit board				
	2, 4	On the pneumatic circuit board				
Product weight	[g] 145	147	138	145	138	140
Certified	c UL us - certified(OL) c CSA us (OL)					
CE marking (see declaration of conformity)	Conforms to EU EMC guidelines					
Corrosion resistance grade CRC	2					

- 1) C = Normally closed/Mid-position closed  
 2) U = Normally open/Mid-position pressurised  
 3) E = Mid-position exhausted  
 4) H=2x 2-position 3-way valve integrated in one shell, 1x normally closed and 1x normally open  
 5) Hybrid reset mode

## Valve terminal FV , with multi-pin plug and fieldbus connection

### Technical specifications - Plate valve G $\frac{1}{4}$

#### Working and environmental conditions

Valve function	T32-A <sup>1)</sup>	T32-M <sup>2)</sup>	M52-A	B52	M52-M <sup>2)</sup>	P53
Working medium	Compressed air according to ISO 8573-1:2010 [7:4.4]					
Pilot medium	Compressed air according to ISO 8573-1:2010 [7:4.4]					
Description of working medium/Pilot medium	Lubricated media can be used (once used, subsequent runs must be used at all times)					
Work pressure Internal pilot pneumatic source [bar]	1.5 ... 8	2 ... 8	2.5 ... 8	1.5 ... 8	3 ... 8	3 ... 8
External pilot pneumatic source [bar]	1.5 ... 10	-0.9 ... 10			-0.9 ... 8	-0.9 ... 10
Pilot pressure <sup>3)</sup> [bar]	1.5 ... 8	2 ... 8	2.5 ... 8	1.5 ... 8	3 ... 8	3 ... 8
Ambient temperature [°C]	-5 ... +60					
Medium temperature [°C]	-5 ... +60					

- 1) Pneumatic reset  
 2) Mechanical spring return  
 3) Minimum pilot pressure is 50% of working pressure

#### Electrical parameters

Electrical connections	Drop-in
Working voltage [V DC]	24 ±10%
Power consumption [W]	1
Continuous energization rate ED [%]	100
Maximum switching frequency [Hz]	3
Protection class according to EN 60529	IP67

#### Security features

Mandatory inspection cycle	At least 1/week
At 0 signal, maximum forward test pulse [µs]	1600
At 1 signal, maximum negative test pulse [µs]	3000
Impact resistance	Impact test, strength class 2 according to FN 942017-5 and EN 60068-2-27
Vibration resistance	Test for transport applications, strength class 2 according to FN 942017-4 and EN 60068-2-6

#### Material information

Shell frame	Refined aluminum alloy
Sealing performance	HNBR, NBR
Material description	RoHS Compliant

#### Valve switching time

Valve function	T32-A <sup>1)</sup>	T32-M <sup>2)</sup>	M52-A	B52	M52-M <sup>2)</sup>	P53
Switch time, on [ms]	15	25	20	-	13	20
Switch time, off [ms]	35	33	35	-	50	57
Conversion time [ms]	-	-	-	15	-	31

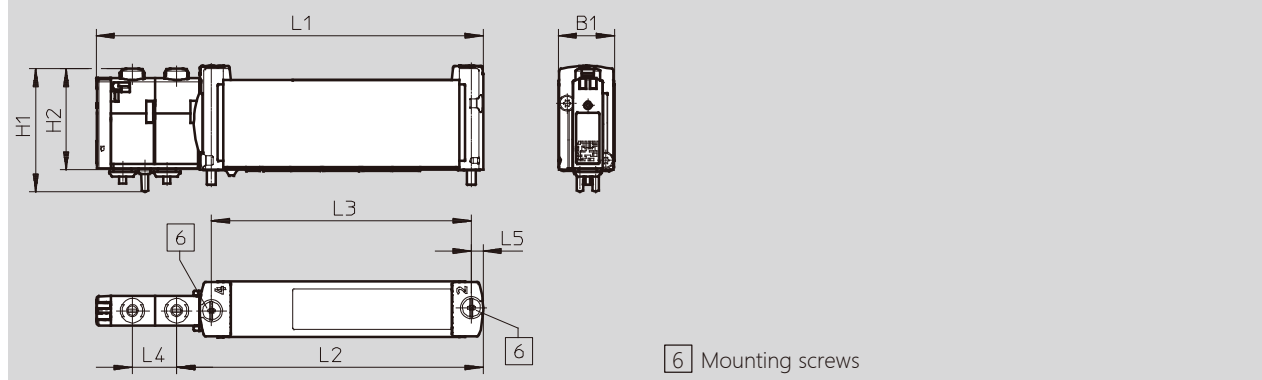
- 1) Pneumatic reset  
 2) Mechanical spring return

# Valve terminal FV , with multi-pin plug and fieldbus connection

## Technical specifications - Plate valve G $\frac{1}{4}$

### Size

Plate valve G $\frac{1}{4}$



Type	B1	H1	H2	L1	L2	L3	L4	L5
FAS-B18-...	18.7	40.9	33.6	128.6	101.9	86.4	14.7	3.9

### Ordering data

Illustrate	Order NO.	Type		
Plate valve G $\frac{1}{4}$				
	2x2-position 3-way valve			
	External, pilot pneumatic source	Normally closed, reset method: Pneumatic reset	8180111140	FAS-B18-T32C-AZ
		Normally open, reset method: Pneumatic reset	8180211140	FAS-B18-T32U-AZ
		1x normally open, 1x normally closed, reset method: Pneumatic reset	8180311140	FAS-B18-T32H-AZ
		Normally closed, reset method: Mechanical spring reset	8180112140	FAS-B18-T32C-MZ
		Normally open, return mode: Mechanical spring return	8180212140	FAS-B18-T32U-MZ
	1x normally open, 1x normally closed, return mode: Mechanical spring return	8180312140	FAS-B18-T32H-MZ	
2-position 5-way valve, Single electronic control				
External, pilot pneumatic source	Return mode: Pneumatic reset / Mechanical spring return	8180413140	FAS-B18-M52-RZ	
	Return mode: Mechanical spring return	8180412140	FAS-B18-M52-MZ	
2-position 5-way valve, Double electronic control				
External, pilot pneumatic source		8180510140	FAS-B18-B52-Z	
3-position 5-way valve				
External, pilot pneumatic source	Mid-position closed	8180610140	FAS-B18-P53C-Z	
	Mid-position pressurised	8180710140	FAS-B18-P53U-Z	
	Mid-position exhausted	8180810140	FAS-B18-P53E-Z	