

Digital Pressure Switch



- Low-voltage and high-voltage types available
- Easy to view and set reference values without switching screen modes
- Supports real-time monitoring of remote readings and setting operations

Digital Pressure Switch



Appearance										
Type	Low pressure					High pressure				
Rated pressure range	-101.3~101.3kPa					-0.101~1.000MPa				
Setting pressure range	-101.0~101.0kPa					-0.100~1.000MPa				
Maximum pressure resistance	500kPa					1.5MPa				
Gas	Non-corrosive gases, non-flammable gases (in accordance with ISO 8573-1:2010 [7:4:4])									
Voltage	12~24V ± 10%									
Current consumption	< 45mA (No-load)									
Resolution in different pressure unit	0.1KPa					-				
	-					0.001MPa				
	0.001kgf/cm ²					0.01kgf/cm ²				
	0.001bar					0.01bar				
	0.01psi					0.1psi				
	0.1mmHg					-				
	1inchHg					-				
Compare Outputs	NPN open collector output, Max. load current: 100mA; Max. supply voltage: 30V DC; internal voltage drop: below 1.5V. PNP open collector output, Max. load current: 100mA; Max. supply voltage: 24V DC; internal voltage drop: below 1.5V.									
Voltage analog output	None	Output voltage: 1~5V ± 2.5%F.S. Linearity: ± 1%F.S. Output impedance: about 1K Ω			None	None	Output voltage: 1~5V ± 2.5%F.S. Linearity: ± 1%F.S. Output impedance: about 1K Ω			None
Current analog output	None	Output current: 4~20mA ± 2.5% F.S. Linearity: ± 1%F.S. Load resistance: Min. 5K Ω, Max. 300 Ω @12V; 600 Ω @24V			None	None	Output current: 4~20mA ± 2.5% F.S. Linearity: ± 1%F.S. Load resistance: Min. 5K Ω, Max. 300 Ω @12V; 600 Ω @24V			None
MODBUS	None			exist		None			exist	
Display accuracy	± 1% F.S. ± 1 digit (operating temperature at 25 ± 10°C)									
Repeat accuracy	± 0.2% F. S. ± 2 digits									
Indicator lights	Display temperature characteristics(sampling rate: 4 times/sec) in 3 colors (red, orange, yellow-green)									
Temperature characteristics	Within 1% F.S. with reference to the comparison temperature of 25° C (from 0 to 50° C)									
Operating environment	0 to 50° C (no condensation, no freezing); 35 to 85% RH (no dew)									
Storage environment	-10 to 50° C (no condensation, no freezing); 35 to 85% RH (no dew)									
Connection specifications	Internal thread: M5; external thread: R1/8 (Asian standard, also known as PT1/8)									
Protection level.	IP40	IP40	IP65	IP40	IP65	IP40	IP40	IP65	IP40	IP65
NPN	MQ-01DN					MQ-10DN				
PNP	MQ-01DP					MQ-10DP				
NPN+PNP	MQ-01DNP					MQ-10DNP				
2-way NPN+ Voltage Analog		MQ-02DNV	MQ-02DNVH				MQ-20DNV	MQ-20DNVH		
2-way NPN+ Current Analog		MQ-02DNA	MQ-02DNAH				MQ-20DNA	MQ-20DNAH		
2-way PNP+ Voltage Analog		MQ-02DPV	MQ-02DPVH				MQ-20DPV	MQ-20DPVH		
2-way PNP+ Current Analog		MQ-02DPA	MQ-02DPAH				MQ-20DPA	MQ-20DPAH		
NPN+RS485 Communication				MQ-03DN-485	MQ-03DNH-485				MQ-30DN-485	MQ-30DNH-485
PNP+RS485 Communication				MQ-03DP-485	MQ-03DPH-485				MQ-30DP-485	MQ-30DPH-485

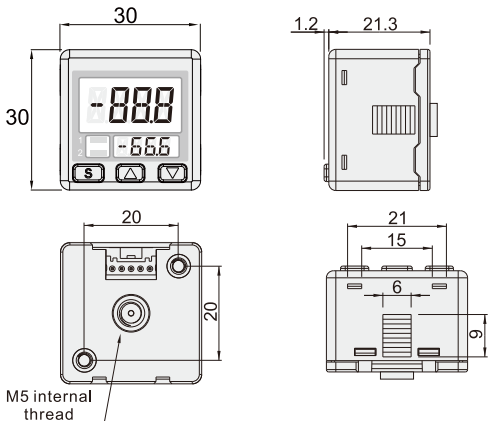
- Fiber Optic
- Slot Sensors
- Photoelectric
- Laser
- Proximity
- Displacement
- Magnetic
- Contact
- Area
- Ultrasonic
- Vision
- Code Readers
- Vibration
- Temperature
- Accessories

Digital Pressure Switch

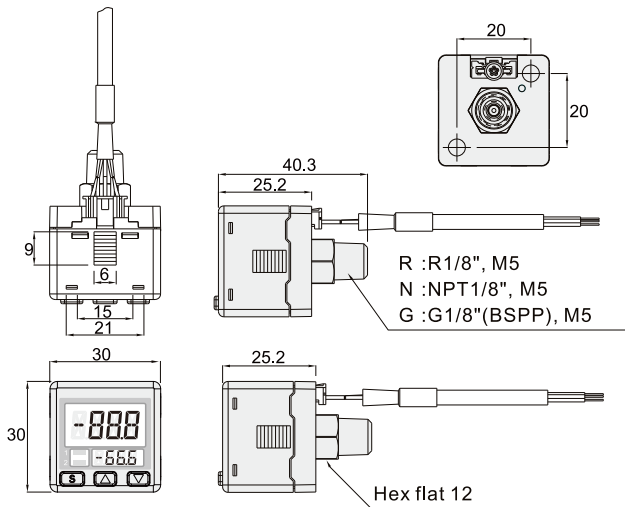
Dimensions

Unit: mm

MQ-01D/10D



MQ-02D/20D/03D/30D



- Fiber Optic
- Slot Sensors
- Photoelectric
- Laser
- Proximity
- Displacement
- Magnetic
- Contact
- Area
- Ultrasonic
- Vision
- Code Readers
- Vibration
- Temperature
- Accessories

- Fiber Optic
- Slot Sensors
- Photoelectric
- Laser
- Proximity
- Displacement
- Magnetic
- Contact
- Area
- Ultrasonic
- Vision
- Code Readers
- Vibration
- Temperature
- Accessories