



Economical Type

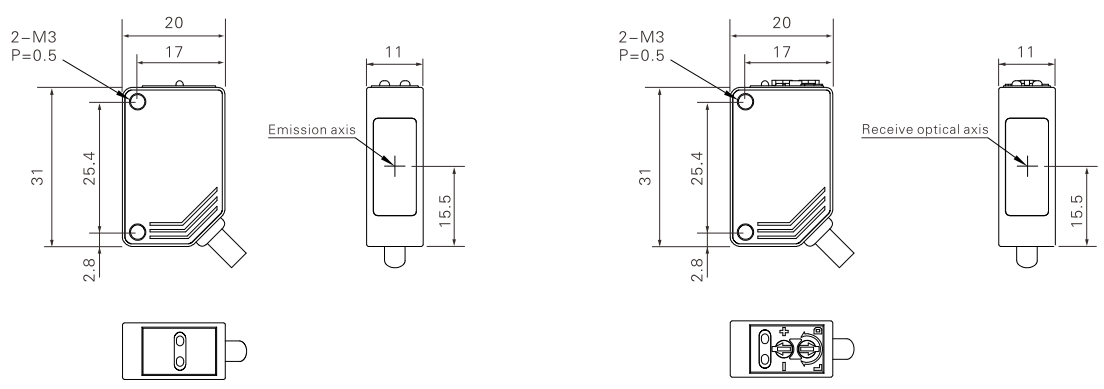
Appearance					
Sensing distance	Diffuse reflection-BGS	Diffuse reflection	Retro-reflection	Thru-beam	
Detection distance	1-15cm	40cm	5m	30m	
Setting distance	2-15cm	-	-	-	
Spot diameter	± Ø1.5mm/15cm	± Ø1.5mm/40cm	± Ø20mm/5m	± Ø60mm/30m	
Hysteresis	≤5%SN	≤20%SN			
Indicator	Working indicator light: green; Action indicator: Red				
Sensitivity adjustment	6 circle potentiometer	Single coil potentiometer			
Output mode	NPN or PNP open collector				
Switch mode	L.on (light-in action)/D.on (light-shielding action) can be switched				
Response time	≤2ms				
light source	Laser 650nm (modulation) Class 2				
Working voltage	10-30V DC				
Voltage	<1.5V				
Current consumption	≤20mA				
Load current	≤100mA				
Ambient illuminance	Incandescent lamp: 3000 lux or less / Sunlight: 5000 lux or less				
Ambient temperature	-25°C~+55°C, no freezing				
Ambient humidity	35%~85%RH, no condensation				
Withstand voltage	± 1000V 50/60Hz 60s				
Static electricity	± 8000V(air discharge)				
Group pulse	± 2000V (5kHz/50kHz)				
Anti-vibration	10-50Hz, 0.5mm amplitude, 2 hours each in X, Y, Z directions				
Circuit protection	Power reverse polarity protection, output reverse polarity protection, surge protection, short circuit protection		Power reverse polarity protection, surge protection, short circuit protection		
Degree of protection	IP65				
Material	PBT + glass fiber (body), PMMA (lens)				
Connection	2M/3 core cable				
Accessories	Screwdriver				
Model No.	NPN	ELE-B15N	ELE-D40N	ELE-RM05N	ELE-TM30N
	PNP	ELE-B15P	ELE-D40P	ELE-RM05P	ELE-TM30P

- Fiber Optic
- Slot Sensors
- Photoelectric
- Laser**
- Proximity
- Displacement
- Magnetic
- Contact
- Area
- Ultrasonic
- Vision
- Code Readers
- Vibration
- Temperature
- Accessories
- Guidance
- Laser sensors
- Square**
- BGS
- Transparent objects detection

Dimensions

Unit: mm

ELE-TM30N/P

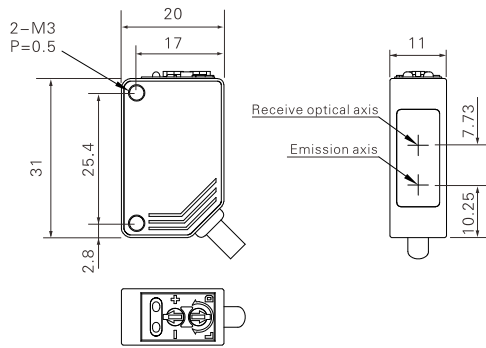


Square

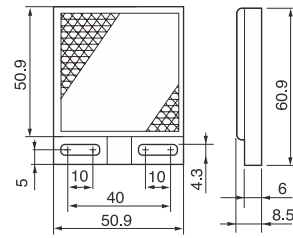
Dimensions

Unit: mm

ELE-B15N/P、ELE-D40N/P、ELE-RM05N/P



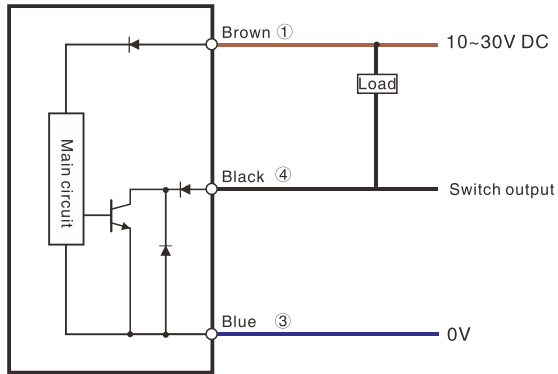
ELE-RM05 With reflector



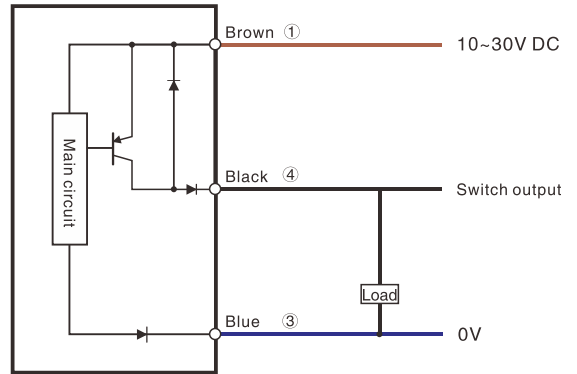
(Optional TD-11)

Circuit diagram

NPN Output



PNP Output



- Fiber Optic
- Slot Sensors
- Photoelectric
- Laser**
- Proximity
- Displacement
- Magnetic
- Contact
- Area
- Ultrasonic
- Vision
- Code Readers
- Vibration
- Temperature
- Accessories
- Guidance
- Laser sensors
- Square**
- BGS
- Transparent objects detection



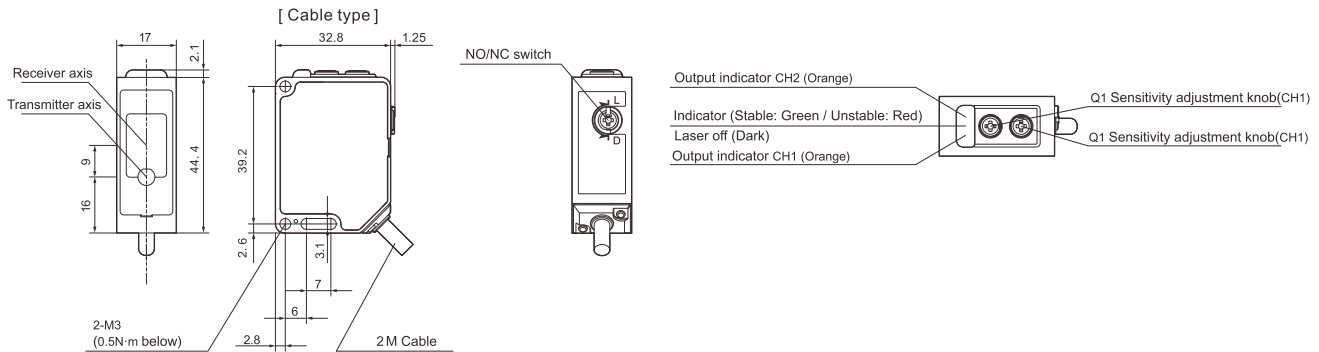
TOF Principle

Appearance	
Type	Long distance
Sensing type	Diffuse reflection
Sensing distance	0~4.5m
Spot size	About ϕ 17mm (4.5m away)
Switch type	Selectable L.on/D.on
Indicator	Output indicator: Orange; Laser indicator: Green
Response time	\leq 0.5ms
Sensitivity adjustment	Four-turn potentiometer
Light source	Laser(650nm)
Laser class	Class 1
Operating voltage	10~30V DC \pm 10%
Current consumption	\leq 85mA
Ambient temperature	-10°C~+50°C, No freezing
Ambient humidity	35%~85% RH, No condensation
Impact resistance	50G(500m/s ²)
Degree of protection	IP67
Material	Housing: ABS+ fiber glass; Lens PMM
Model No.	NPN ELT-S450N PNP ELT-S450P

- Fiber Optic
- Slot Sensors
- Photoelectric
- Laser**
- Proximity
- Displacement
- Magnetic
- Contact
- Area
- Ultrasonic
- Vision
- Code Readers
- Vibration
- Temperature
- Accessories

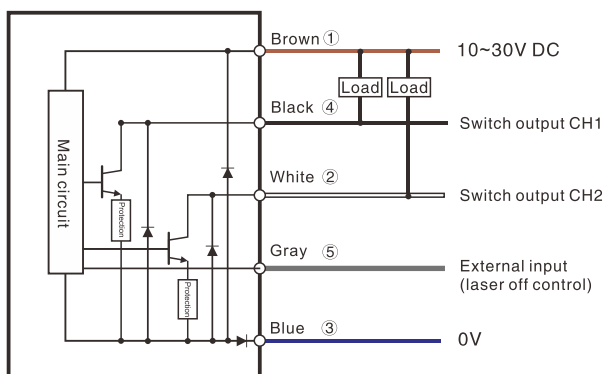
Dimensions

Unit: mm

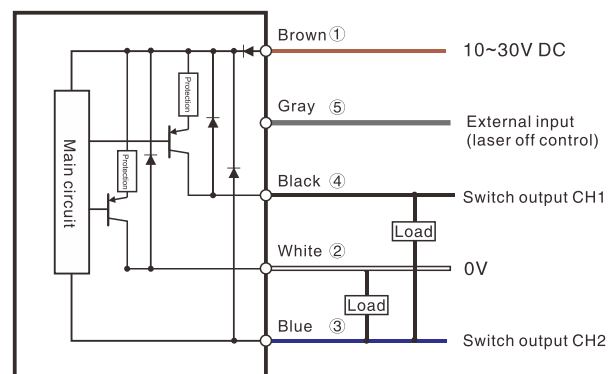


Circuit diagram

NPN Output



PNP Output



Guidance

Laser sensors

Square

BGS

Transparent objects detection