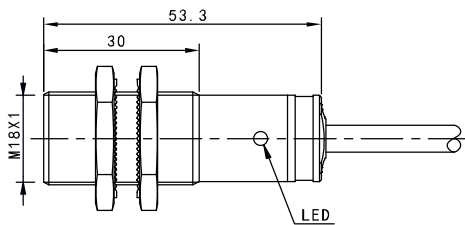




Appearance

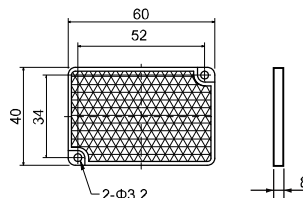
Sensing type	Diffuse reflection		Thru-beam		Retro-reflection	
Sensing distance	10cm(fixed)	40cm(adjustable)	1000cm(fixed)	2000cm(fixed)	300cm(fixed)	
Hysteresis	3~20%		...			
Repeat accuracy	< 5%					
Output type	NPN/PNP Open-collector					
Switch type	Selectable L.on/D.on					
Indicator	Yellow LED		Green LED(Emitter)/Yellow LED(Receiver)		Yellow LED	
Response time	< 8.2 ms					
Light source	Infrared LED(880nm)					
Operating voltage	10~30V DC					
Voltage drop	< 2.5V					
Current consumption	< 25mA					
Load current	< 200mA					
Protection circuit	Reverse polarity, short circuit, surge protection					
Ambient temperature	-15°C~+55°C, No freezing					
Ambient humidity	35%~95%RH, No condensation					
Degree of protection	IP67					
Material	Nickel copper alloy					
Connection method	2M 4core cable					
Accessories	Mounting screws					
Model No.	NPN	<b>PM18-D10NR</b>	<b>PM18-D40NR</b> <span style="color:red">HOT</span>	<b>PM18-TM10NR</b>	<b>PM18-TM20NR</b>	<b>PM18-R300NR</b>
	PNP	<b>PM18-D10PR</b>	<b>PM18-D40PR</b>	<b>PM18-TM10PR</b>	<b>PM18-TM20PR</b>	<b>PM18-R300PR</b>

### Dimensions



Reflector for PM18-R300

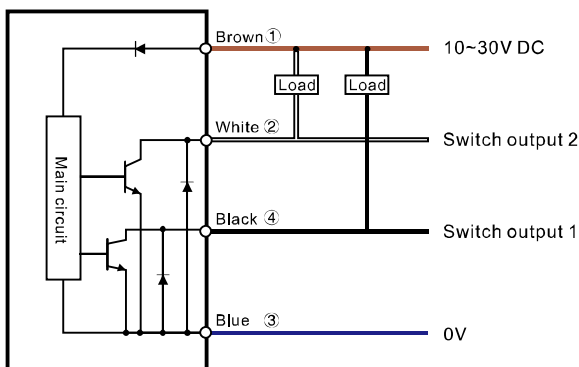
Unit: mm



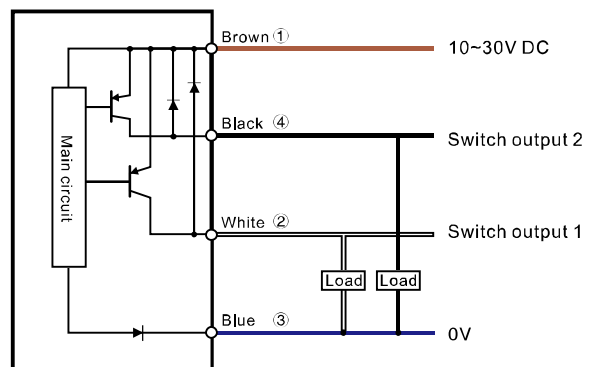
(Standard TD-09)

### Circuit diagram

#### NPN Output



#### PNP Output



Fiber Optic

Slot Sensors

**Photoelectric**

Laser

Proximity

Displacement

Magnetic

Contact

Area

Ultrasonic

Vision

Code Readers

Vibration

Temperature

Accessories

Guidance

Photoelectric

**Cylindrical**

Square

Flat type

Thin type

BGS

Transparent detection

Color/Mark Detection

TOF type

IP69K high protection type

Anti-glare type

IO-Link type

Reflectors

Reflectors