



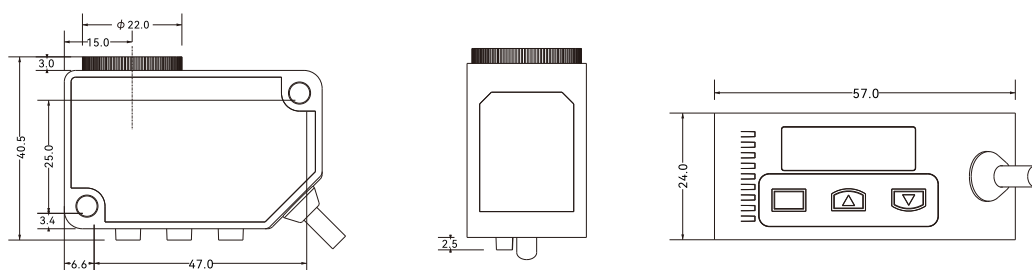
NEW!



Appearance	
Sensing method	Diffuse reflection
Setting distance	10mm ± 3mm
Sensing distance	1–100mm
Spot size	1*5mm/10mm
Light emitting element	Red/Blue/Green Composite LED (light emission peak wavelength: 625nm/470nm/525nm)
Output	NPN/PNP open–collector
Indicator	Status indicator: Green Output indicator: Red
Response time	Mark mode: 0.5ms, color mode: 2ms
Switch type	L.on/D.on selectable
Digital display	Four digits
Operating voltage	12~24V DC ± 10%
Residual voltage	< 1.5V
Current consumption	< 35mA(24V)
Load current	< 50mA
Circuit protection	Reverse polarity protection, short circuit protection
Ambient humidity	35%~85%RH
Ambient temperature	Working: -10°C~+55°C, no freezing, no condensation; Storage: -20°C~70°C
Withstand voltage	± 1000V 50/60Hz 60s
Static electricity	± 8000V
Protection degree	IP67
Group pulse	± 2000V
Anti-vibration	10~50Hz, 1.5mm amplitude, 2 hours each in X,Y,Z directions
Ambient illuminance	Incandescent lamp: ≤3000Lux
Model	NPN ESE-10N PNP ESE-10P

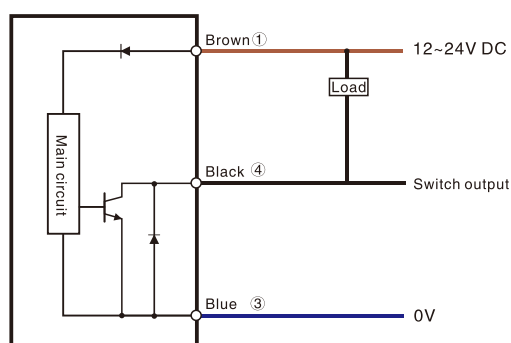
Dimensions

Unit:mm



Circuit diagram

NPN Output



PNP Output

