
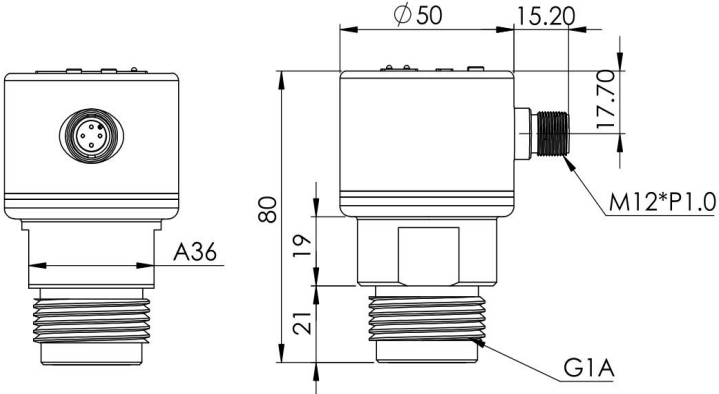
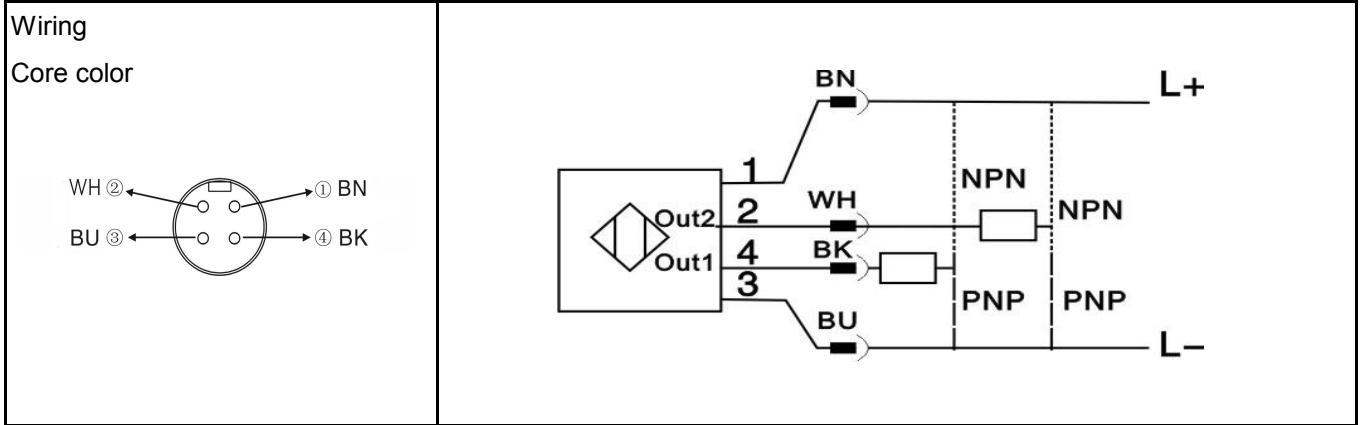
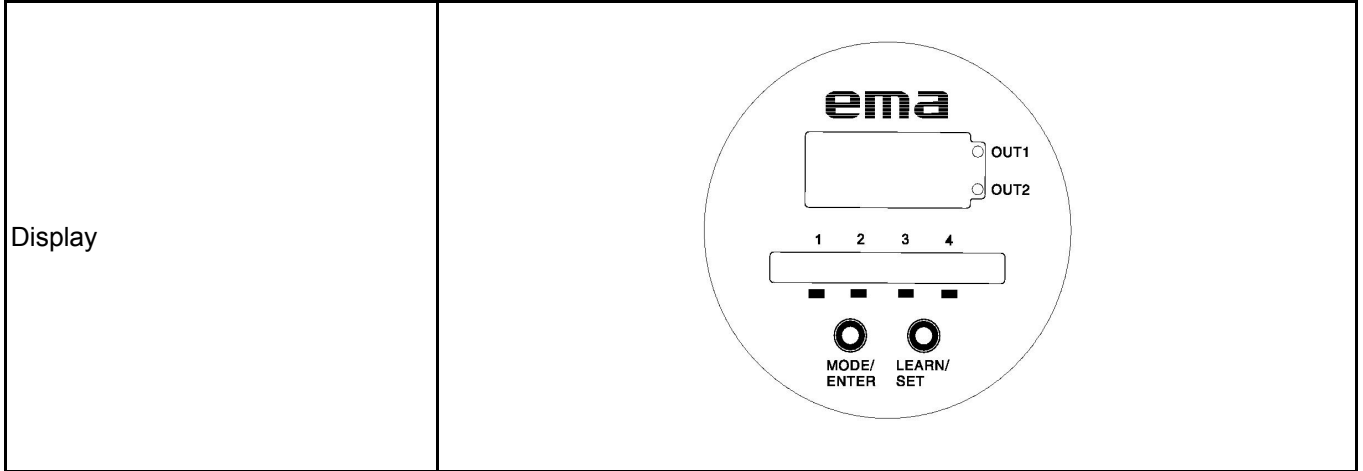


<p>VS1002</p> <p>Mini Ultrasonic Level Switch</p> <p>Connection: G1"A</p> <p>Cable entrance: M12 Connector</p> <p>Sensing range: 0.2m...3m</p> <p>Programmable</p> <p>Dual Switching output</p> <p>3 digit display</p>	
<p>Applications</p>	<p>Liquid and flat surface objects, ex: wooden plank, glass, paper, plastic sheet*</p> <p>(* the sensing range of solids decrease with different materials)</p>
<p>Panel Display</p>	<p>3 digital segment + 6×LED</p>
<p>Display Functions</p>	<p>The distance/temperature display can be switched via the buttons</p>
<p>Menu setting</p>	<p>2 Buttons</p>
<p>Operating Voltage [V]</p>	<p>20...30 DC</p>
<p>Range[M]</p>	<p>0.2...3</p>
<p>Inactive area[M]</p>	<p>≤0.2</p>
<p>Launch angle</p>	<p><15°</p>
<p>Probe frequency[kHz]</p>	<p>100</p>
<p>Voltage drop[V]</p>	<p><3.5</p>
<p>Reverse polarity protection</p>	<p>Yes</p>
<p>Overload protection</p>	<p>Yes</p>
<p>Temperature compensation</p>	<p>Yes</p>
<p>Automatic gain control AGC</p>	<p>Yes</p>
<p>Watchdog</p>	<p>Yes</p>
<p>Current consumption[mA]</p>	<p>50</p>
<p>Accuracy / Deviation[%]</p>	<p>±0.1</p>
<p>Minimum Resolution[mm]</p>	<p>3</p>
<p>Output response time[s]</p>	<p>1.5</p>
<p>Overload of switching output[mA]</p>	<p>400</p>
<p>Electric design</p>	<p>NO/ NC adjustable</p> <p>PNP/NPN adjustable</p> <p>SP/RP adjustable</p>
<p>Dimensions[mm]</p>	

Ambient temperature[°C/°F]	-20...70/-4...158
Storage temperature[°C/°F]	-20...70/-4...158
Protection/Enclosure Rating	IP68
Resistance [MΩ]	>100(500 VDC)
Shock resistance[g]	20
ESD[KV]	III 6kV
EFT[KV]	III 2kV
Walkie talkie experiment[M]	0.1
Ambient pressure[bar]	<3
Housing material	Stainless steel 316L,PVDF



ema electronics

website: www.ema-electronic.com

e-mail: sales@ema-electronic.com