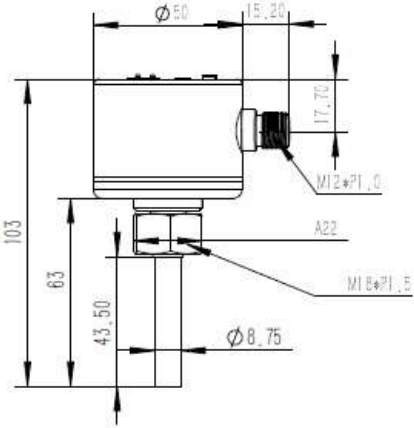
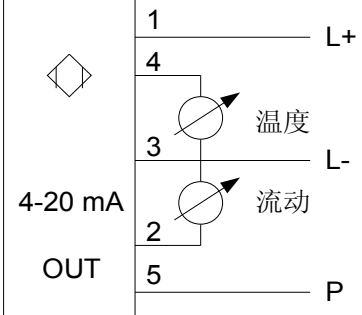


| | |
|--|---|
| <p>FL6205 Electronic Flow + Temp Sensor Stainless Steel Housing Seal Plus structure Connection: Internal thread M18 x 1.5 Programmable Switching output 3 digit display M12 socket</p> |  |
| Applications | Liquid and gas |
| Electric design | DC 2 x 4-20 mA |
| Output | 4-20 mA |
| Supply voltage[V] | 20...36 DC |
| Reverse polarity protection | Yes |
| Current consumption[mA] | <80 |
| Programming options | Hysteresis range / Window function, Output setting, Calibration, High/Low switching point setting, °C/°F, Unit display, SP setting |
| Operating temperature[°C/°F] | -40...150/-40...302 |
| Accuracy of display[°C/°F] | 0.5/1 |
| Max. temperature drift[K/min] | 300 |
| Pressure resistance[bar] | 300 |
| Liquid temperature[°C/°F] | -25...80/-13...176 |
| Liquid setting range[cm/S] | 3...300 |
| Max sensitivity of range for liquid[cm/S] | 3...100 |
| Gas temperature[°C/°F] | -25...80/-13...176 |
| Gas setting range[cm/S] | 200...3000 |
| Max sensitivity of range for gas[cm/S] | 200...800 |
| Startup time[s] | < 8 |
| Output response time[s] | < 2 |
| Ambient temperature[°C/°F] | -25...80/-13...176 |
| Protection/Enclosure Rating | IP68 |

| | |
|---|--|
| <p>Dimensions[mm]</p> |  |
| <p>ESD EN61000-4-2</p> | <p>6kV-CD / 8kV-AD</p> |
| <p>EFT EN61000-4-4</p> | <p>2kV</p> |
| <p>Shock resistance[g]</p> | <p>50</p> |
| <p>Vibration resistance[g]</p> | <p>20</p> |
| <p>Housing material</p> | <p>Stainless steel 304</p> |
| <p>Probe material/Wetted Parts</p> | <p>Stainless steel 316L</p> |
| <p>Function Display</p> | <p>Flow : 10 x 3 colors LED / Temp : 3 digit segment</p> |
| <p>Connection</p> | <p>M12 socket</p> |
| <p>Wiring</p> |  |
| <p>Core color</p> <p>Pin 1=BN Pin 2=WH Pin 3=BU Pin 4=BK Pin 5=RD</p> | |



ema electronics

website: www.ema-electronic.com
e-mail: sales@ema-electronic.com