
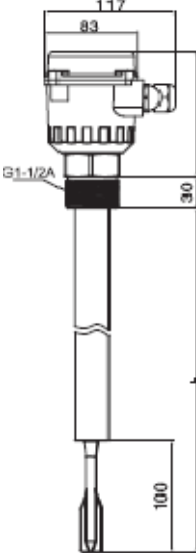
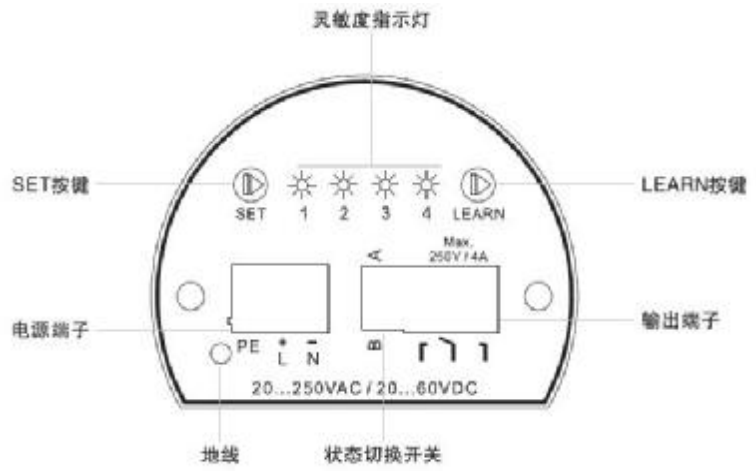


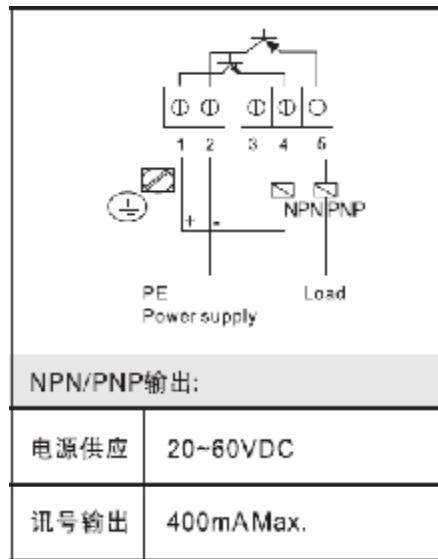


<p>VRT11AB Smart Vibrating Fork Level Switch NPN & PNP output G1-1/2A thread Flange or insert can be installed M20*P1.5 connector response time: <3s</p>	
Display	4×Red LED
Supply voltage[V]	20...60VDC
response time[S]	<3
Max. power consumption[W]	3
Output	NPN & PNP
NPN/PNP output load	400
Applications	powder/solid/liquid
Ambient temperature[°C]	-40...+70
Operating pressure[bar]	-1...40
Connection	G1-1/2"A
Probe length[mm]	L=200/400/600/800/1000/1200
Electrical interface	M20*1.5
Housing material	Aluminum alloy
Probe material	Stainless steel 316L
Protection	IP65
EMC	ESD 6KV
	EFT 2KV
Dimensions[mm]	

Panel



Wiring



NPN/PNP输出:

电源供应	20~60VDC
讯号输出	400mA Max.



ema electronics

website: www.ema-electronic.com

e-mail: enquiry@ema-electronic.com