
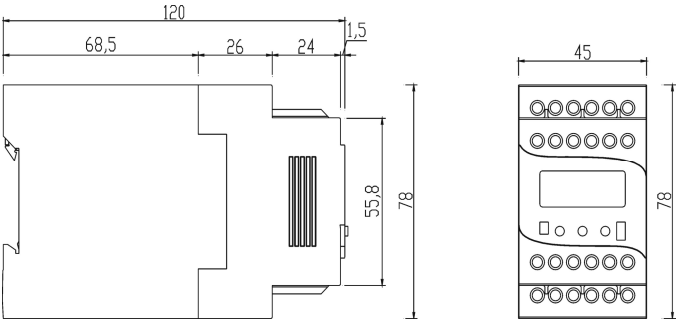
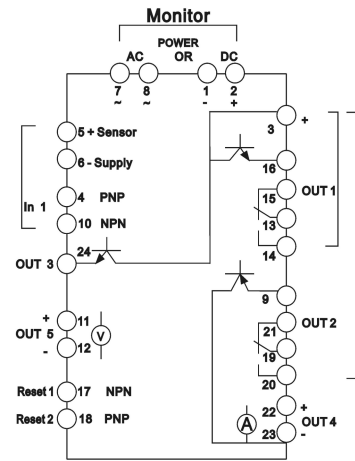


<p>SM1001 Speed Monitor DIN rail mounting Two relays output three transistors output</p> <p>Current value output: 0/4...20mA Voltage value output: 0...10V</p> <p>Programmable No external frequency test</p>	 <p>CE RoHS</p>									
Applications	Equipment period for frequency, rotation rate, speed ,and pulse.									
Adjusting range(Rotation rate/Frequency)	1...6000.0RPM / 0.1...1000.0Hz									
Rated voltage[V]	230 AC(50...60HZ) / 24 DC									
Voltage tolerance[%]	10%									
Contact loading	8A (1250VA / 250 VAC)									
Power consumption[VA]	5/3W									
Analogue output	Current: 0/4...20mA (500Ω); Voltage: 0...10V									
Pulse output	<p>PNP/NPN</p> <p>Supply voltage: 24 V DC / 15mA</p> <p>Switch point for PNP sensor: &gt;12V On; &lt; 5V Off</p> <p>Switch point for NPN sensor: &gt;15V On; &lt; 5V Off</p> <p>Input frequency (Max.): 5kHz Corresponding min. pulse period / interval 0.1ms</p>									
Transistor output	<p>PNP, NPN</p> <p>Switching voltage: 24 VDC / current: max. 15mA; Short-circuit protection</p>									
Accuracy of the frequency measurement	<1%									
Switching function	Two switch points required by the range of monitoring under speed / over speed									
Max. relative air humidity[%]	75(35°C)									
Operating temperature[°C]	-20...60									
Storage temperature[°C]	-25...80									
Protection Housing / Terminals	IP50 / IP20									
Housing material	PBT+GF									
<table border="1"> <tr> <td data-bbox="177 1485 300 1525">Display</td> <td data-bbox="300 1485 630 1525">Switching State LED</td> <td data-bbox="630 1485 1415 1525">Green (Light on under actuation of relay / connection of transistor )</td> </tr> <tr> <td data-bbox="177 1525 300 1565"></td> <td data-bbox="300 1525 630 1565">Input signal LED</td> <td data-bbox="630 1525 1415 1565">Red</td> </tr> <tr> <td data-bbox="177 1565 300 1606"></td> <td data-bbox="300 1565 630 1606">Function LED</td> <td data-bbox="630 1565 1415 1606">LCD Display; 7/14- Segment</td> </tr> </table>	Display	Switching State LED	Green (Light on under actuation of relay / connection of transistor )		Input signal LED	Red		Function LED	LCD Display; 7/14- Segment	
Display	Switching State LED	Green (Light on under actuation of relay / connection of transistor )								
	Input signal LED	Red								
	Function LED	LCD Display; 7/14- Segment								
Connection	Dual-chamber terminals									
Dimension										

Wiring



Connection notice

1.DC Supply voltage (L-)	13.Relay 1 (center contact)
2.DC Supply voltage (L+)	14.Relay 1 (NO contact)
3.Supply transistor outputs (L+)	15.Relay 1 (NC contact)
4.Sensor signal PNP	16.Transistor output 1 PNP
5.DC Sensor supply (L+)	17.Reset 1 NPN
6.DC Sensor supply (L-)	18.Reset 2 PNP
7.AC Supply voltage ( L+)	19.Relay 2 (center contact)
8.AC Supply voltage (L-)	20.Relay 2 (NO contact)
9.Transistor output NPN	21.Relay 2 (NC contact)
10.Sensor signal NPN	22.Anologue volatge output (+)
11.Analogue volatge output (L+)	23.Anologue current output (-)
12.Analogue volatge output (L-)	24.Transistor output-2 PNP



ema electronics

website: [www.ema-electronic.com](http://www.ema-electronic.com)

e-mail: [sales@ema-electronic.com](mailto:sales@ema-electronic.com)