

Appearance	
Operating voltage	5V DC
Magnetic sensitivity	65mV/mT (Center value)
Output voltage	0.3→4.7V (-40→+40mT): (Center value)
Center voltage	2.5V ± 0.15V
Output current	≤ ± 12mA
Current consumption	12mA
Response time	5 μs (100kHz)
Magnetic sensitivity temperature coefficient	0 ± 0.04 %/°C
Center voltage temperature coefficient	0 ± 0.5mV/°C
Ambient temperature	-20°C ~ +85°C
Ambient humidity	20~95% RH
Cable length	0.3m
Material	GF reinforced PBT (Orange)
Mounting	M2 screw, tightening torque 0.15N · m
Cable specification	3pcs φ 0.9 core cable, 0.3m
Degree of protection	IP 65
Model NO.	Upward detection
	Sideway detection

MR-L4
MR-L4-H



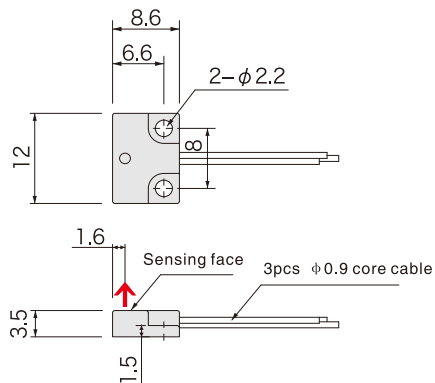
Appearance	
Operating voltage	5V DC
Magnetic sensitivity	65mV/mT (Center value)
Output voltage	0.3→4.7V (-40→+40mT): (Center value)
Center voltage	2.5V ± 0.15V
Output current	≤ ± 12mA
Current consumption	12mA
Response time	5 μs (100kHz)
Magnetic sensitivity temperature coefficient	0 ± 0.04 %/°C
Center voltage temperature coefficient	0 ± 0.5mV/°C
Ambient temperature	-20°C ~ +85°C
Ambient humidity	20~95% RH
Cable length	1m
Material	SUS303
Mounting	M3 screw, tightening torque 0.15N · m
Degree of protection	IP 65
Model NO.	MR-L10X

- Fiber Optic
- Slot Sensors
- Photoelectric
- Laser
- Proximity
- Displacement
- Magnetic**
- Contact
- Area
- Ultrasonic
- Vibration
- Temperature
- Cables
- Tester

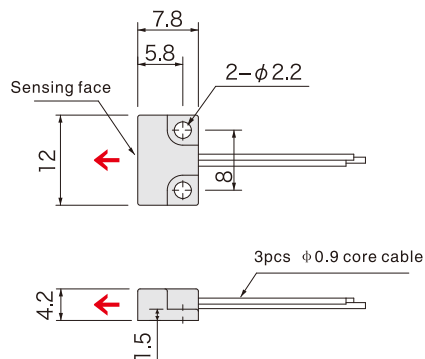
Guidance

- Magnetic**
- Magnetic sensors
- High precision cylinder
- Combined cylinder
- Near iron sensor
- Door sensors
- Linear sensors**
- Ordinary magnets
- High precision composite magnets
- Mounting accessories

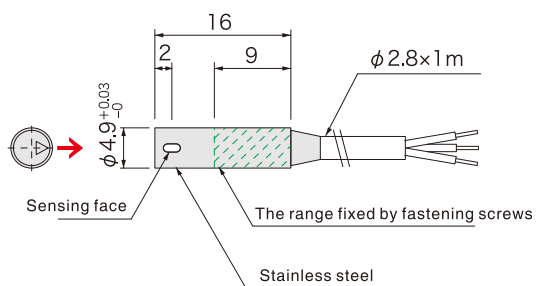
MR-L4



MR-L4-H



MR-L10X



- Fiber Optic
- Slot Sensors
- Photoelectric
- Laser
- Proximity
- Displacement
- Magnetic**
- Contact
- Area
- Ultrasonic
- Vibration
- Temperature
- Cables
- Tester

Guidance

Magnetic

- Magnetic sensors
- High precision cylinder
- Combined cylinder
- Near iron sensor
- Door sensors
- Linear sensors**
- Ordinary magnets
- High precision composite magnets
- Mounting accessories