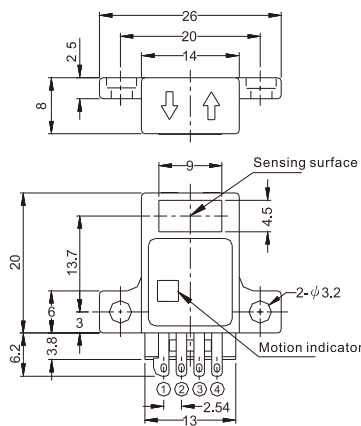


Appearance			
Detection surface		Front	Head
Sensing type		Diffuse reflection	
Sensing distance		40mm (50 × 50 white matte paper)	
Return difference		< 20%	
Output type		NPN/PNP Open-collector	
Switch type		Selectable L.on/D.on	
Response time		< 1 ms	
Light source		Infrared light LED	
Operating voltage		12~24V DC	
Current consumption		< 25mA	
Voltage drop		< 2.5V (load current is 100mA)	
Load current		< 100mA(24V DC)	
Ambient temperature		1000 V DC 50/60Hz 1min	
Ambient humidity		Operation: -20°C~+55°C, Storage: -25°C~+80°C(No freezing)	
Voltage withstandability		Operation: 45%~+85%RH, Storage: 35%~90%RH (No condensation)	
Insulation resistance		> 20MΩ/500V DC	
Ambient brightness		Incandescent lamp ≤3000Lux, Sunlight ≤10000Lux	
Degree of protection		IP50	
Material		PC	
Connection method		connector	
Model No.	NPN	MP2-410N-E (HOT)	MP2-412N-E
	PNP	MP2-410P-E	MP2-412P-E

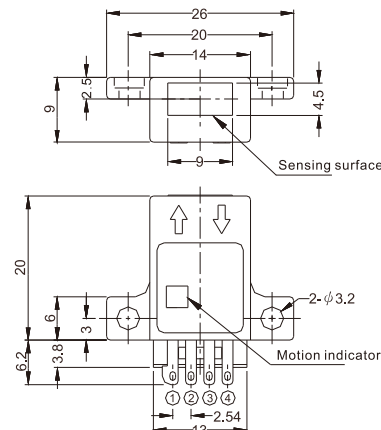
Dimensions

Unit: mm

MP2-410N(P)-E



MP2-412N(P)-E

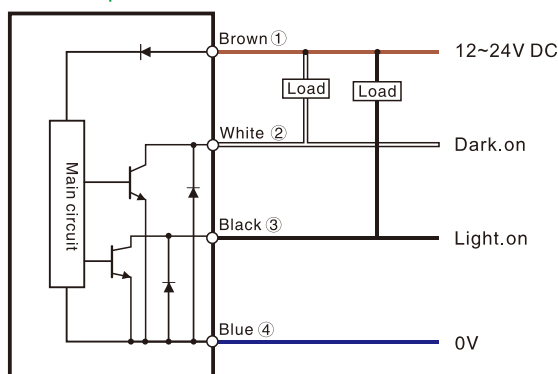


- ①: ○ Brown
- ②: ○ OUT1 White
- ③: ○ OUT2 Black
- ④: ○ Blue

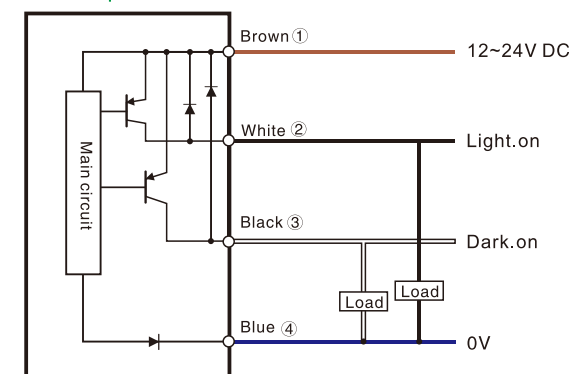
Connection cable: ME-1007 (To M-08)

Circuit diagram

NPN Output



PNP Output



- Fiber Optic
- Slot Sensors
- Photoelectric**
- Laser
- Proximity
- Displacement
- Magnetic
- Contact
- Area
- Ultrasonic
- Vision
- Vibration
- Temperature
- Annexes

Guidance

Photoelectric

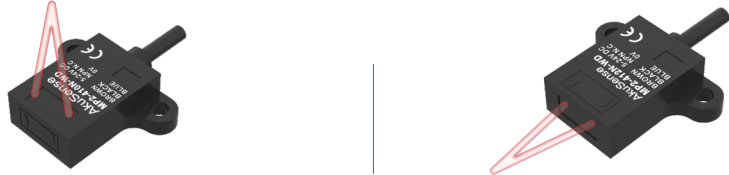
- Cylindrical
- Square
- Flat type**
- Thin type
- BGS
- Transparent detection
- Color/Mark Detection
- TOF reflective
- IP69K high protection type
- Anti-glare type

Reflectors

- Reflectors

Flat Type

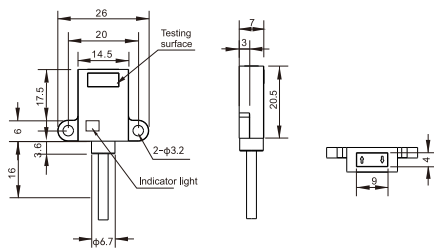
MP2 Series Pre-wired Type



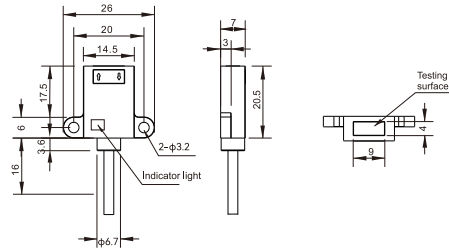
Appearance	Front	Head	
Detection surface			
Sensing type	Diffuse reflection		
Sensing distance	2.5~8mm(black object 3mm)		
Return difference	<20%		
Light source	Infrared light LED(880nm)		
Response time	≤0.8s		
Operating voltage	12~24V DC		
Response frequency	<1ms		
Voltage drop	<2.5V (load current is 100mA)		
Residual voltage	Below 3V (load current 100mA/ 2m cable)		
Indicator	RedLED		
Switching action	L.on/D.on model selectable		
Protective circuit	Surge protection, reverse polarity protection		
Storage temperature	Operation: -10°C~55°C, Storage: -25°C~80°C(No freezing)		
Storage humidity	Operation: 45%~85% RH, Storage: 35%~90% RH (No condensation)		
Ambient brightness	≤3500Lux		
Voltage influence	When the rated power supply voltage range fluctuates within ±15%, the sensing distance will be changed within ±1%.		
Dielectric strength	>50MΩ/500V DC		
Voltage withstandability	AC1000V, 50/60Hz, 1min		
Vibration resistance	10~50Hz, Upper and lower amplitude 1.5mm, 2 hours in X, Y, Z direction		
Impact resistance	500m/s ² 10 times in X,Y,Z		
Degree of protection	IP50		
Housing Material	PC		
Connection method	2m 3 core cable		
Model No.	NPN D.on	MP2-410N-WD	MP2-412N-WD
	NPN L.on	MP2-410N-WL	MP2-412N-WL
	PNP D.on	MP2-410P-WD	MP2-412P-WD
	PNP L.on	MP2-410P-WL	MP2-412P-WL

Dimensions

MP2-410□-W□



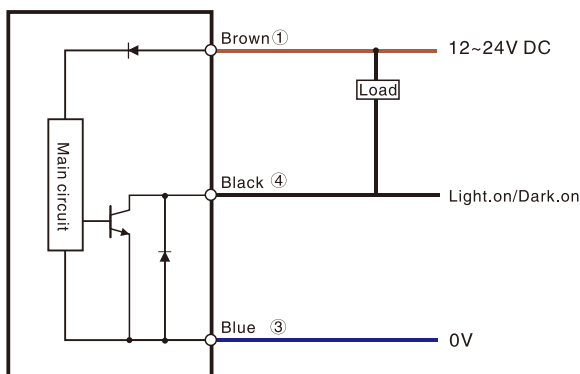
MP2-412□-W□



Unit: mm

Circuit diagram

NPN Output



PNP Output

