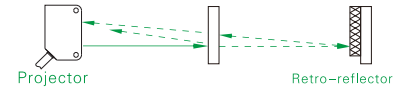


# Transparent Detection

## EST Series

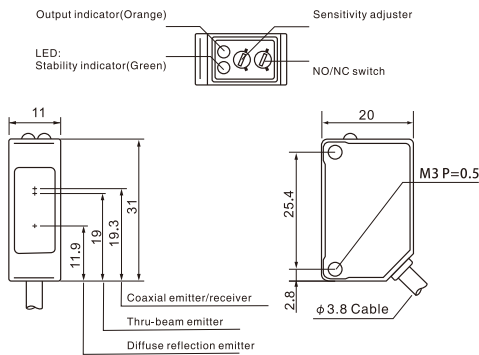
Photoelectric



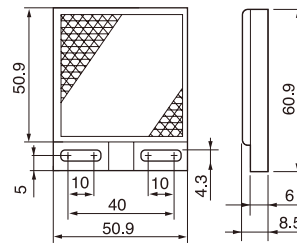
Appearance		
Sensing type	Retro-reflection	
	General Type	Coaxial beam
Sensing distance	1~200cm	0~200cm
Beam size	φ 300mm/200cm	φ 60mm/200cm
Output type	NPN/PNP Open-collector, ≤100mA/30V DC	
Switch type	Selectable L.on/D.on	
Indicator	Motion indicator: Green; Output indicator: Orange	Output indicator: Orange
Response time	0.5 ms	
Light source	Red light LED(66nm)	
Operating voltage	10~30V DC ± 10%	
Current consumption	<20mA	
Ambient brightness	Sunlight≤10000Lux, Incandescent lamp≤3000Lux	
Ambient temperature	-25℃~+55℃, No freezing	
Ambient humidity	35%~85%RH, No condensation	
Degree of protection	IP67	
Connection method	2M 3 core cable	
Material	PBT+Fiberglass (Housing); PMMA(Lens)	
Accessories	Bracket	
Model No.	NPN	EST-200N (HOT) EST-X200N
	PNP	EST-200P EST-X200P

## Dimensions

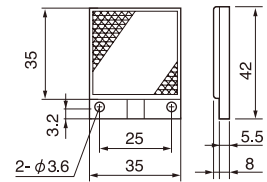
Unit: mm



### EST-200 Reflector:



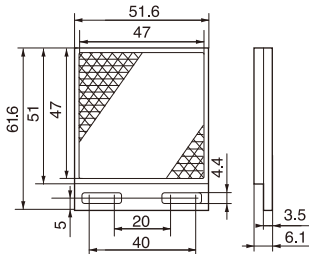
(Standard TD-11)



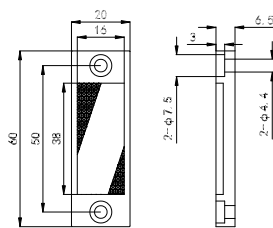
(Optional TD-12)

Noted:  
Coaxial products only have one orange LED output indicator.

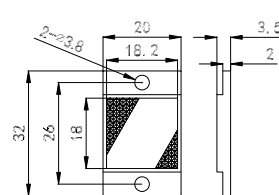
### EST-X200 Reflector:



(Standard TD-13)

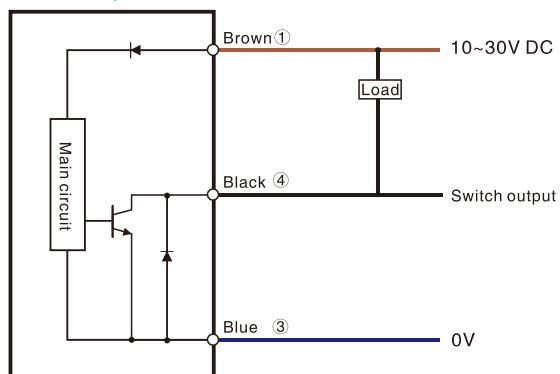


(Optional TD-14)

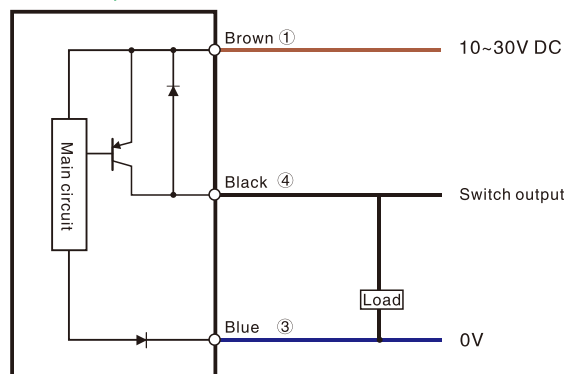


(Optional TD-15)

### NPN Output



### PNP Output



- Fiber Optic
- Slot Sensors
- Photoelectric**
- Laser
- Proximity
- Displacement
- Magnetic
- Contact
- Area
- Ultrasonic
- Vision
- Vibration
- Temperature
- Annexes

#### Guidance

#### Photoelectric

- Cylindrical
- Square
- Flat type
- Thin type
- BGS
- Transparent detection**
- Color/Mark Detection
- TOF reflective
- IP69K high protection type
- Anti-glare type

#### Reflectors

- Reflectors