



Appearance

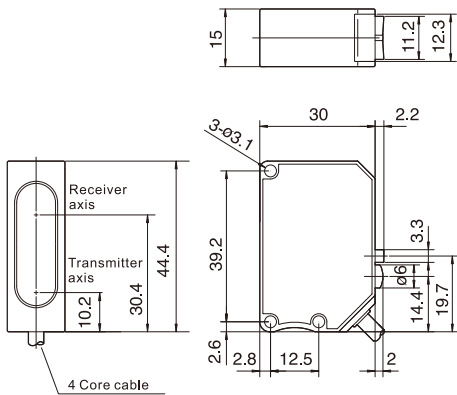
Type	Long distance type		Short distance type
Sensing type	Diffuse reflection		
Set distance	50~300mm		20~100mm
Sensing distance	100~700mm	10~300mm	5~100mm
Beam size	φ 6mm/200mm	φ 1.5mm/300mm	φ 1mm/100mm
Switch type	Selectable L.on/D.on		
Indicator	Output indicator: Orange; Laser indicator: Green		
Response time	0.7 ms		0.3 ms
Sensitivity adjustment	Four-turn potentiometer		
Light source	Laser(650nm)		
Laser class	Class2		Class1
Operating voltage	10~30V DC ± 10%		
Current consumption	35mA		≤30mA
Ambient temperature	-10°C~+50°C, No freezing		
Ambient humidity	35%~85%RH, No condensation		
Impact resistance	50G(500m/s <sup>2</sup> )		
Degree of protection	IP67		
Material	Housing: ABS+ fiber glass; Lens: PMMA		
Accessories	Bracket		
Model No.	NPN	<b>ELS-ZL70N</b>	<b>ELS-ZL30N</b> (HOT)
	PNP	<b>ELS-ZL70P</b>	<b>ELS-ZL30P</b>
			<b>ELS-ZL10N</b>
			<b>ELS-ZL10P</b>

- Fiber Optic
- Slot Sensors
- Photoelectric
- Laser**
- Proximity
- Displacement
- Magnetic
- Contact
- Area
- Ultrasonic
- Vision
- Vibration
- Temperature
- Annexes

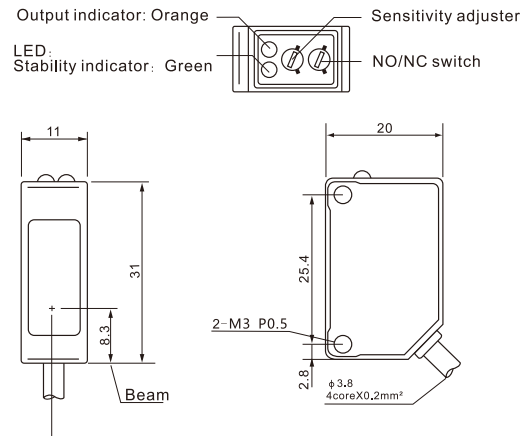
Dimensions

Unit: mm

ELS-ZL70N(P)



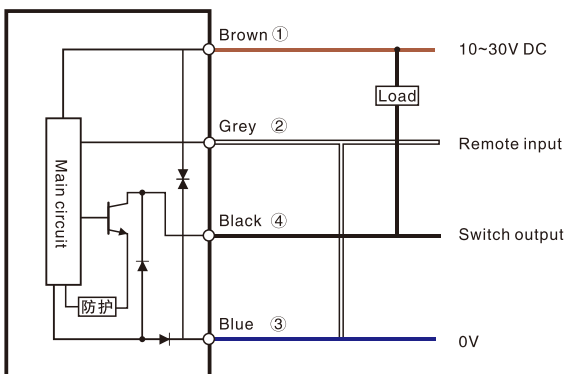
ELS-ZL30N(P)/ELS-ZL10N(P)



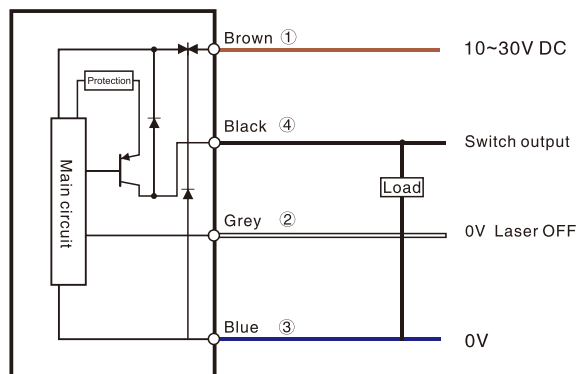
Circuit diagram

ELS-ZL30

NPN Output



PNP Output



Guidance

Laser sensors

Square

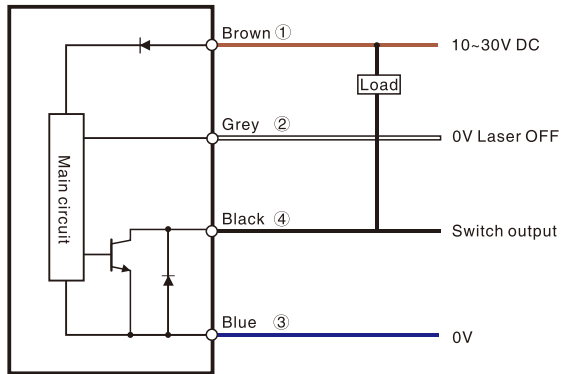
BGS

Transparent objects detection

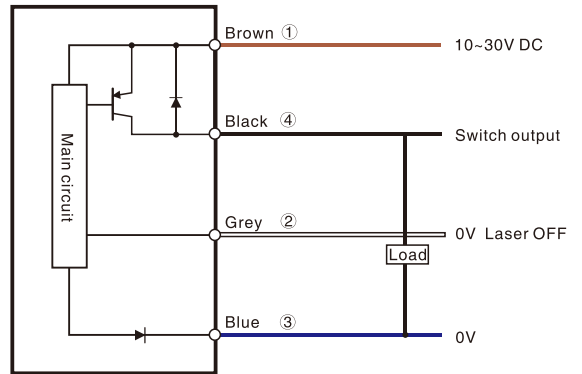
### Circuit diagram

ELS-ZL70/ELS-ZL10

#### NPN Output



#### PNP Output



Fiber Optic

Slot Sensors

Photoelectric

Laser

Proximity

Displacement

Magnetic

Contact

Area

Ultrasonic

Vision

Vibration

Temperature

Annexes

Guidance

Laser sensors

Square

BGS

Transparent objects  
detection



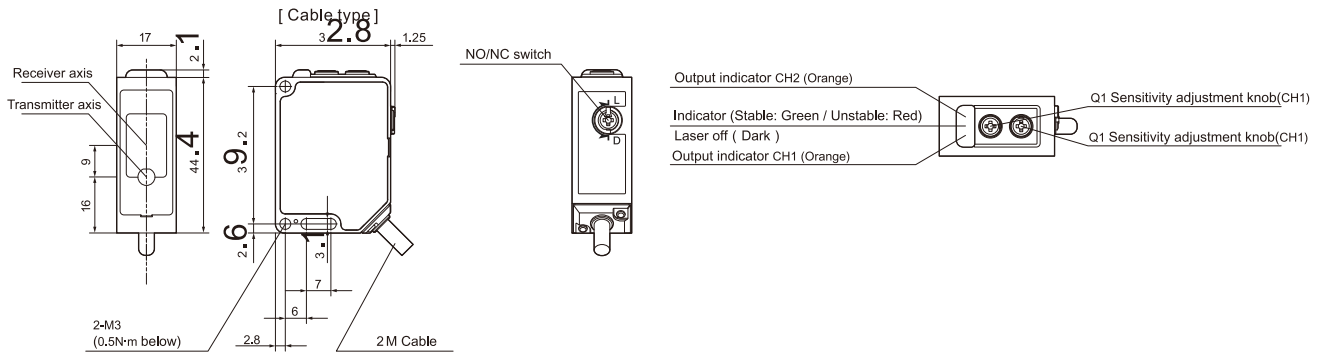
TOF Principle

Appearance	
Type	Long distance
Sensing type	Diffuse reflection
Sensing distance	0~4.5m
Beam size	About 17mm (4.5m away)
Switch type	Selectable L.on/D.on
Indicator	Output indicator: Orange; Laser indicator: Green
Response time	≤0.5ms
Sensitivity adjustment	Four-turn potentiometer
Light source	Laser(650nm)
Laser class	Class 1
Operating voltage	10~30V DC ± 10%
Current consumption	≤85mA
Ambient temperature	-10°C~+50°C, No freezing
Ambient humidity	35%~85%RH, No condensation
Impact resistance	50G(500m/s <sup>2</sup> )
Degree of protection	IP67
Material	Housing: ABS+ fiber glass; Lens PMM
Model No.	NPN <b>ELT-S450N</b> PNP <b>ELT-S450P</b>

- Fiber Optic
- Slot Sensors
- Photoelectric
- Laser**
- Proximity
- Displacement
- Magnetic
- Contact
- Area
- Ultrasonic
- Vision
- Vibration
- Temperature
- Annexes

Dimensions

Unit: mm

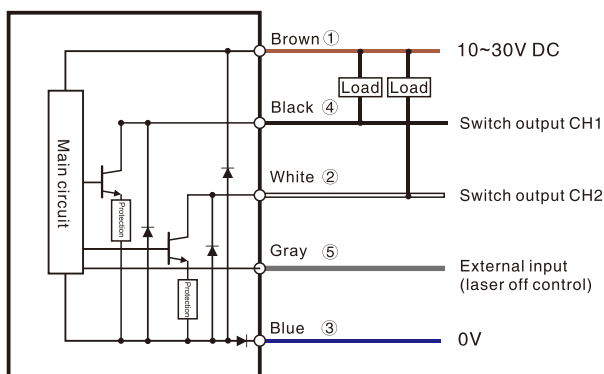


Guidance

- Laser sensors
- Square
- BGS**
- Transparent objects detection

Circuit diagram

NPN Output



PNP Output

