

Square

ELC Series

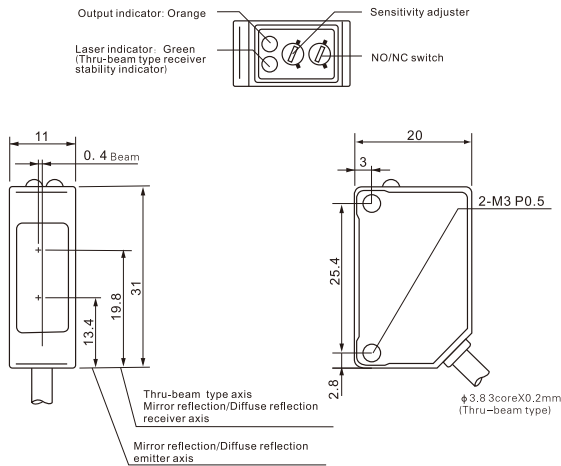


Appearance

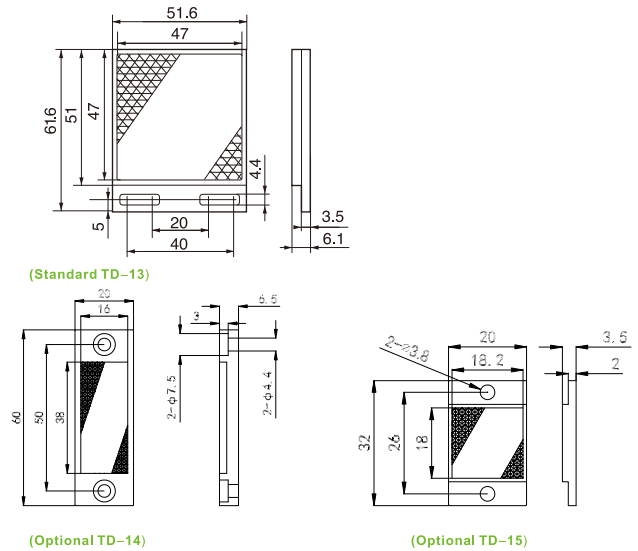
Sensing type	Thru-beam	Retro-reflection	Diffuse reflection
Sensing distance	30m	10m	40cm
Beam size	φ30mm /30m	φ10mm/ 10m	φ2mm/40cm
Switch type	Selectable L,on/D,on		
Indicator	Laser indicator: Green; Output indicator: Yellow		
Response time	0.25 ms		
Sensitivity adjustment	Single-turn potentiometer		
Light source	Laser(650nm)		
Laser class	Class1		Class2
Operating voltage	12~24V DC ± 10%		
Current consumption	≤30mA		≤20mA
Ambient temperature	-10°C~+50°C, No freezing		
Ambient humidity	35%~85%RH, No condensation		
Anti-vibration	10~55Hz Amplitude1.5mm		
Impact resistance	50G(500m/s ²)		
Degree of protection	IP67		
Accessories	Bracket, screw	Bracket, screw, reflector	Bracket, screw
Model No.	NPN	ELC-TM30N	ELC-RM10N
	PNP	ELC-TM30P	ELC-RM10P
		ELC-D40N	ELC-D40P

Dimensions

Unit: mm

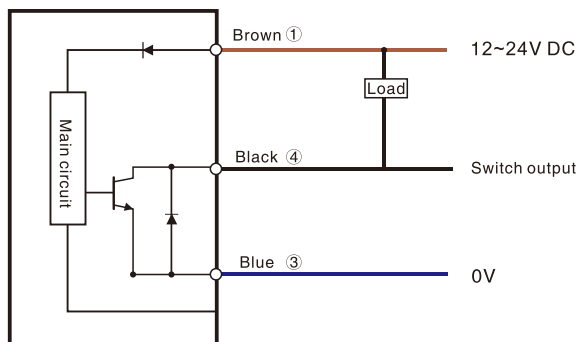


ELC-RM10N/P Reflector:

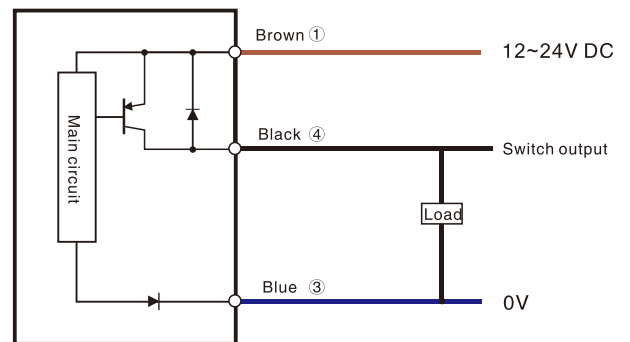


Circuit diagram

NPN Output



PNP Output





Economical Type

NEW!

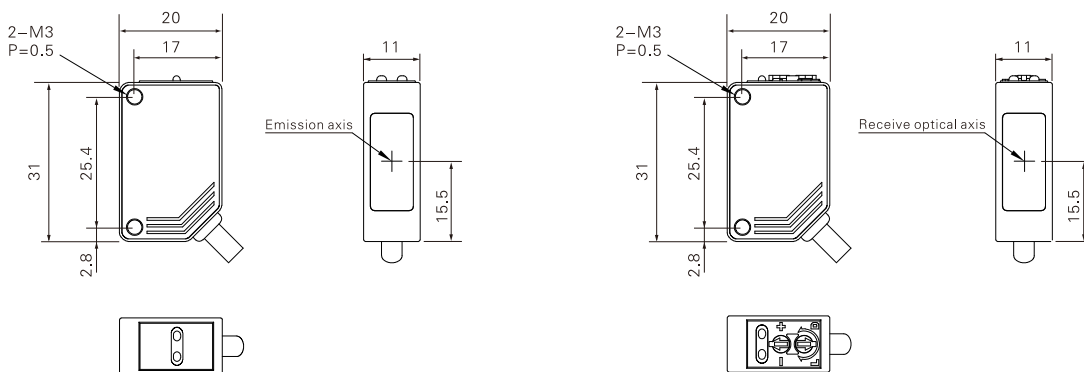
Appearance

Detection mode	Diffuse reflection-BGS	Diffuse reflection	Retro-reflection	Thru-beam	
Detection distance	1-15cm	40cm	5m	30m	
Set the distance	2-15cm	-	-	-	
Spot diameter	± Ø1.5mm/15cm	± Ø1.5mm/40cm	± Ø20mm/5m	± Ø60mm/30m	
Indicator light	Working indicator light: green; Action indicator: Red				
Sensitivity regulation	6 circle potentiometer	Single coil potentiometer			
Output mode	NPN or PNP open collector				
Switch mode	L.on (light-in action)/D.on (light-shielding action) can be switched				
Response time	≤2ms				
light source	Laser 650nm (modulation) Class 2				
Working voltage	10-30V DC				
Current consumption	≤20mA				
Environmental illumination	Incandescent lamp: 3000 lux or less / Sunlight: 5000 lux or less				
Ambient temperature	-25°C~+55°C, no freezing				
Ambient humidity	35%~85% RH, no condensation				
Protection circuit	Power reverse polarity protection, output reverse polarity protection, surge protection, short circuit protection		Power reverse polarity protection, surge protection, short circuit protection		
Degree of protection	IP65				
Material	PBT + glass fiber (shell), PMMA (lens)				
Way out	2M/3 core cable				
Anti-vibration	10~50Hz, 0.5mm amplitude, 2 hours each in X, Y, Z directions				
Accessories	Screwdriver				
Model No.	NPN	ELE-B15N	ELE-D40N	ELE-RM05N	ELE-TM30N
	PNP	ELE-B15P	ELE-D40P	ELE-RM05P	ELE-TM30P

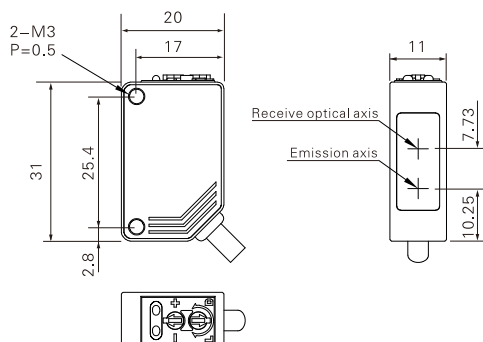
Dimensions

Unit: mm

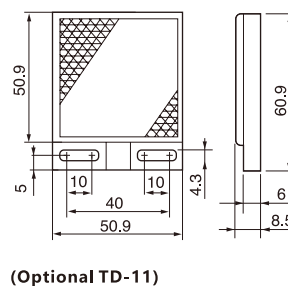
ELE-TM30N/P



ELE-B15N/P, ELE-D40N/P, ELE-RM05N/P



ELE-RM05 With reflector



(Optional TD-11)

- Fiber Optic
- Slot Sensors
- Photoelectric
- Laser**
- Proximity
- Displacement
- Magnetic
- Contact
- Area
- Ultrasonic
- Vision
- Vibration
- Temperature
- Annexes

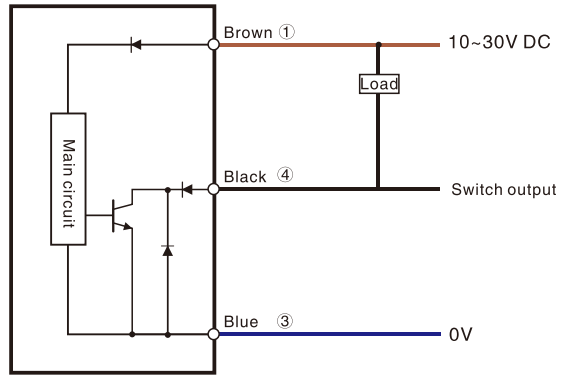
Guidance

- Laser sensors
- Square
- BGS**
- Transparent objects detection

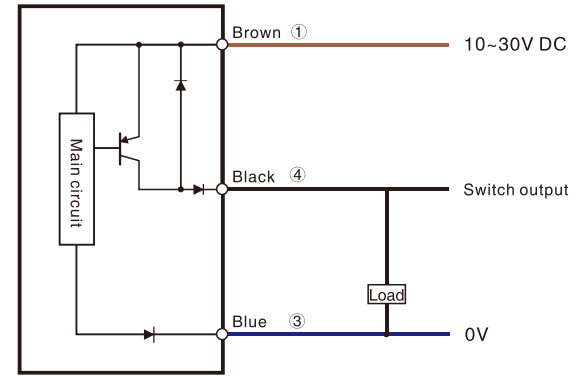
Square

Circuit diagram

NPN Output



PNP Output



Laser

Fiber Optic

Slot Sensors

Photoelectric

Laser

Proximity

Displacement

Magnetic

Contact

Area

Ultrasonic

Vision

Vibration

Temperature

Annexes

Guidance

Laser sensors

Square

BGS

Transparent objects
detection