



乐清市乐宇自动化电气有限公司

Yueqing Leyu Electric Automation Co., Ltd.

100W Single Output Industrial DIN Rail Power Supply MDR-100 series

Features:

Universal AC input/ full range

Protections: Short circuit/ Over load/ Over voltage/ Over temperature

Cooling by free air convection

Can be installed on DIN rail TS-35/7.5 or 15

DC OK relay contact

LED indicator for power on

100% full load burn-in test

No load power consumption<1W

2 years warranty

SPECIFICATIONS			
OUTPUT			
Model	MDR-100-12	MDR-100-24	MDR-100-48
DC Voltage	12V	24V	48V
Rated Current	7.5A	4A	2A
Current Range	0-7.5A	0-4A	0-2A
Rated Power	90W	96W	96W
Ripple & Noise	120mVp-p	120mVp-p	150mVp-p
Voltage Adj. Range	12-15V	24-30V	48-56V
Voltage Tolerance	±1%	±1%	±1%
Line regulation	±1%	±1%	±1%
Load regulation	±1%	±1%	±1%
Setup, Rise Time	3000ms,50ms/230VAC 3000ms,50ms/115VAC at full load		
Hold Up Time	50ms/230VAC 20ms/115VAC at full load		
INPUT			
Voltage Range	85~264VAC 47~63 Hz; 120~370VDC		
AC Current	1.3A/115VAC 0.8A/230VAC		
Efficiency	83%	86%	87%
Inrush Current	Cold start 30A/115VAC 60A/230VAC		
Leakage Current	<1mA/240VAC		
PROTECTION			
Over Load	105%~150% rated output power		
	Protection type: Constant current limiting, recovers automatically after fault condition is removed		
Over Voltage	15.6-18V	31.2-36V	57.6-64.8V



乐清市乐宇自动化电气有限公司

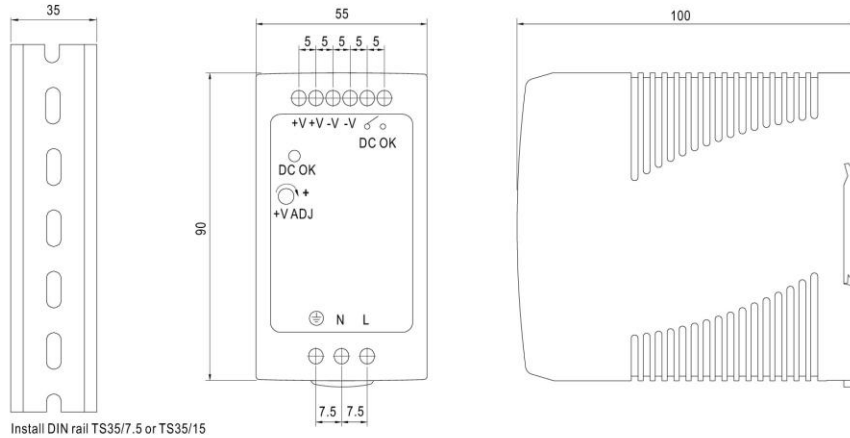
Yueqing Leyu Electric Automation Co., Ltd.

	Protection type: Shut down o/p voltage, re-power on to recover
Over Temp.	Protection type: Shut down o/p voltage, recovers automatically or re-power on recover
Function	
DC OK signal	Relay contact rating(max):30V/1A resistive
ENVIRONMENT	
Working Temp., Humidity	-10°C~+60°C; 20%~90% RH non-condensing
Storage Temp., Humidity	-40°C~+85°C; 10%~95%RH
Temp. Coefficient	±0.03%/°C(0~50°C)
Vibration	10~500Hz, 2G 10min./1cycle, 60min, each along X, Y, Z axes
SAFETY	
Withstand Voltage	I/P-O/P: 3KVAC I/P-FG:2KVAC O/P-FG:0.5KVAC
Isolation Resistance	I/P-O/P, I/P-FG, O/P-F/G: >100M Ohms / 500VDC/25°C/70% RH
STANDARD	
Safety Standard	Design refer to UL508, TUV EN60950-1
EMC Standard	EN61240-3,EN55011,EN55022,EN61000-3-2,-3,EN61000-4-2,3,4,5,6,8,11,EN55024,EN61000-6-2, EN61204-3,heavy industry level, criteria A
OTHERS	
Dimension	55*90*100mm(W*H*D)
Weight	0.42Kg
Packing	30pcs/13.6Kg/0.82CUFT
NOTE	
<p>1.All parameters NOT specially mentioned are measured at 230VAC input, rated load and 25°C of ambient temperature.</p> <p>2.Ripple & noise are measured at 20MHz of bandwidth by using a 12" twisted pair-wire terminated with a 0.1µf & 47µf parallel capacitor.</p> <p>3.Tolerance: includes set up tolerance, line regulation and load regulation.</p> <p>4.The power supply is considered a component which will be installed into a final equipment. The final equipment must be re-confirmed that it still meets EMC directives.</p>	

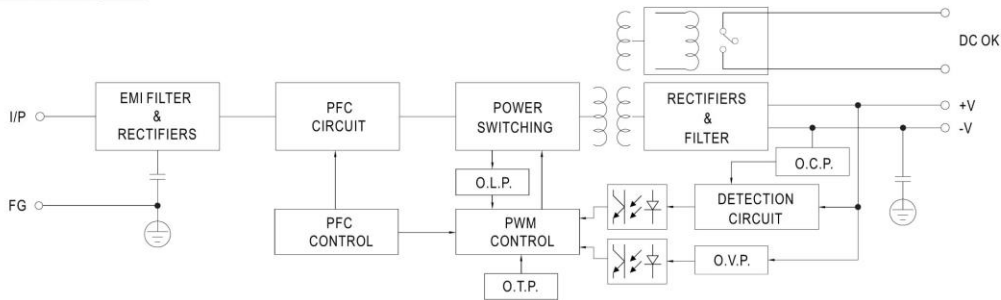
96W Single Output Industrial DIN Rail Power Supply

MDR-100 series

■ Mechanical Specification



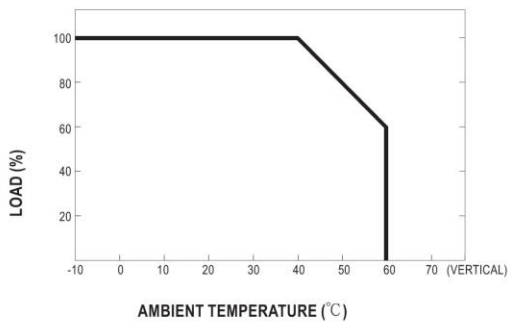
■ Block Diagram



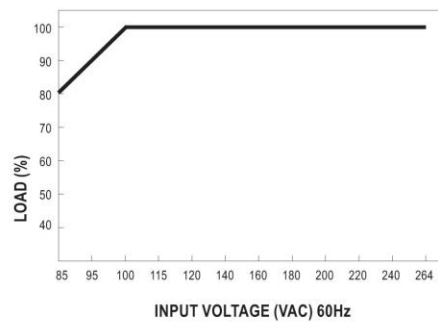
■ DC OK Relay Contact

Contact Close	PSU turns on / DC OK.
Contact Open	PSU turns off / DC Fail.
Contact Ratings (max.)	30V/1A resistive load.

■ Derating Curve



■ Output Derating VS Input Voltage





乐清市乐宇自动化电气有限公司

Yueqing Leyu Electric Automation Co., Ltd.