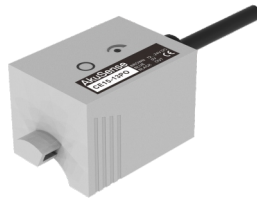


Liquid Level Detection

Pre-wired

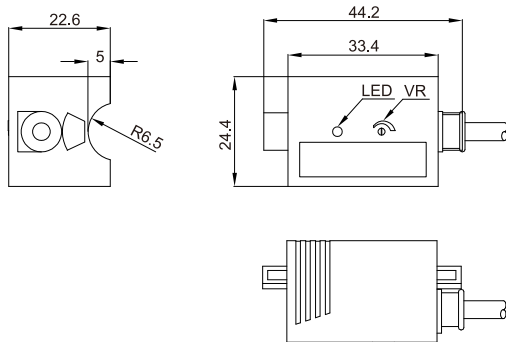


Appearance		
Mounting		Unshielded
Operating voltage		10~30V DC
Load Current, Max		150mA
Voltage drop		< 2.5V
Current consumption		< 15mA
Hysteresis		3~20%
Repeat accuracy		< 3%
Switch frequency		20Hz
Indicator		Yellow LED
Material		Nonmetal
Pipeline	External diameter	$\phi 8 \sim \phi 11$
	Wall thickness	$\phi 12 \sim \phi 26$
		< 1mm
Protective circuit		Reverse polarity/Short circuit
Ambient temperature		-25°C~+75°C
Degree of protection		IP67
Housing material		PBT
Connection		2mPVC Cable
Model No.	NPN Normally open	CE15-13 N□□
	Others	CE30-26 N□□ (HOT)
		N□□ :NPN Normally open N□□ :NPN Normally closed P□□ :PNP Normally open P□□ :PNP Normally closed

Dimensions (Unit:mm)

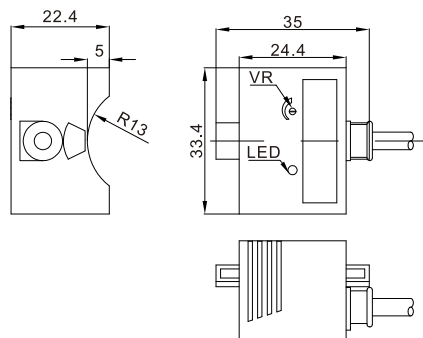
CE15

CE15-13□□



CE30

CE30-26□□



Proximity

Fiber Optic

Slot Sensors

Photoelectric

Laser

Proximity

Displacement

Magnetic

Contact

Area

Ultrasonic

Vision

Vibration

Temperature

Annexes

Guidance

Inductive sensors

Standard distance

Extended distance

Long distance

Square

Mini square

Mini-cylindrical

Short-body

Ring-type

Metal face

Temperature

Analog output

DC 2 wires

IP69K high protection

Capacitive sensors

Cylindrical

Correction

resistance type

Flat type

Level detection